

bruksanvisning



K 3185 H A+
K 3185 V A+
K 3185 H A+ RF

Cylinda
år efter år

Index

BEFORE USING THE APPLIANCE	3
General warnings	3
Old and out-of-order fridges or freezer	5
Safety warnings	5
Installing and operating your fridge	6
Before using your fridge	7
Information on No-Frost Technology	7
USAGE INFORMATION	8
Control panel	8
<i>Temperature set button</i>	8
<i>Alarm light</i>	8
<i>Super Cooling Mode</i>	8
<i>Fridge Temperature Settings</i>	8
Warnings for temperature settings	9
Accessories	10
<i>Chiller shelf</i>	10
<i>Fresh dial</i>	10
ARRANGING FOOD IN THE APPLIANCE	10
CLEANING AND MAINTENANCE	11
TRANSPORTATION AND CHANGING OF INSTALLATION POSITION	12
Repositioning the door	12
BEFORE CALLING SERVICE	12
Tips for saving energy	14
THE PARTS OF THE APPLIANCE AND THE COMPARTMENTS	15

CHAPTER 1. BEFORE USING THE APPLIANCE

General warnings

WARNING: Keep ventilation openings, in the appliance enclosure or in the built-in structure, clear of obstruction.

WARNING: Do not use mechanical devices or other means to accelerate the defrosting process, other than those recommended by the manufacturer.

WARNING: Do not use electrical appliances inside the food storage compartments of the appliance, unless they are of the type recommended by the manufacturer.

WARNING: Do not damage the refrigerant circuit.

WARNING: In order to avoid any hazards resulting from the instability of the appliance, it must be fixed in accordance with the following instructions:

WARNING: When positioning the appliance, ensure the supply cord is not trapped or damaged.

WARNING: Do not locate multiple portable socket-outlets or portable power supplies at the rear of the appliance.



SYMBOL ISO 7010 W021

Warning: Risk of fire / flammable materials

- If your appliance uses R600a as a refrigerant (this information will be provided on the label of the cooler) you should take care during transportation and installation to prevent the cooler elements from being damaged. R600a is an environmentally friendly and natural gas, but it is explosive. In the event of a leak due to damage of the cooler elements, move your fridge away from open flames or heat sources and ventilate the room where the appliance is located for a few minutes.
- While carrying and positioning the fridge, do not damage the cooler gas circuit.

- Do not store explosive substances such as aerosol cans with a flammable propellant in this appliance.
- This appliance is intended to be used in household and domestic applications such as:
 - staff kitchen areas in shops, offices and other working environments.
 - farm houses and by clients in hotels, motels and other residential type environments.
 - bed and breakfast type environments;
 - catering and similar non-retail applications.
- If the socket does not match the refrigerator plug, it must be replaced by the manufacturer, a service agent or similarly qualified persons in order to avoid a hazard.
- A specially grounded plug has been connected to the power cable of your refrigerator. This plug should be used with a specially grounded socket of 16 amperes. If there is no such socket in your house, please have one installed by an authorised electrician.
- This appliance can be used by children aged from 8 years and above and persons with reduced physical, sensory or mental capabilities or lack of experience and knowledge if they have been given supervision or instruction concerning use of the appliance in a safe way and understand the hazards involved. Children shall not play with the appliance. Cleaning and user maintenance shall not be made by children without supervision.
- If the supply cord is damaged, it must be replaced by the manufacturer, an authorised service agent or similar qualified persons, in order to avoid a hazard.
- This appliance is not intended for use at altitudes exceeding 2000 m.

Old and out-of-order fridges or freezer



- If your old fridge has a lock, break or remove the lock before discarding it, because children may get trapped inside it and may cause an accident.
- Old fridges and freezers may contain isolation material and refrigerant with CFC or HFC. Therefore, take care not to harm environment when you are discarding your old fridges.

Please ask your municipal authority about the disposal of the WEEE reuse, recycle and recovery purposes.

Notes:

- Please read the instruction manual carefully before installing and using your appliance. **We are not responsible for the damage occurred due to misuse.**
- Follow all instructions on your appliance and instruction manual, and keep this manual in a safe place to resolve the problems that may occur in the future.
- This appliance is produced to be used in homes and it can only be used in domestic environments and for the specified purposes. It is not suitable for commercial or common use. Such use will cause the guarantee of the appliance to be cancelled and our company will not be responsible for losses incurred.
- This appliance is produced to be used in houses and it is only suitable for cooling / storing food. It is not suitable for commercial or common use and/or for storing substances except for food. Our company is not responsible for losses to be incurred in the contrary case.

Safety warnings

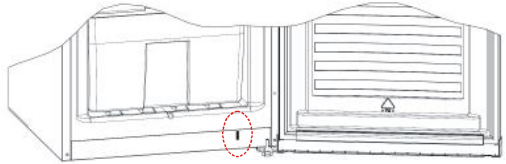
- Do not connect your fridge to the mains electricity supply using an extension lead.
- Do not plug in damaged, torn or old plugs.
- Do not pull, bend or damage the cord.



- This appliance is designed for use by adults, do not allow children to play with the appliance or let them hang off the door.
- Never touch the power cord/plug with wet hands as this could cause a short circuit or electric shock.
- Do not place explosive or flammable material in your fridge. Place drinks with high alcohol content vertically in the fridge compartment and make sure that their tops are tightly closed.
- Do not cover the body or top of fridge with lace. This affects the performance of your fridge.
- Secure any accessories in the fridge during transportation to prevent damage to the accessories.



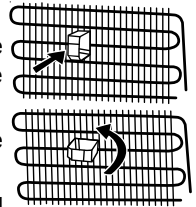
- When the door of the cooler is closed, a vacuum seal will form. Wait for about 1 minute before reopening it.
- This application is optional for easy opening of the door. With this application, a little condensation may occur around this area and you may remove it.



Installing and operating your fridge

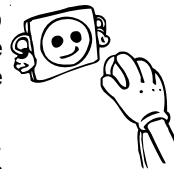
Before starting to use your fridge, you should pay attention to the following points:

- Operating voltage for your fridge is 220-240 V at 50Hz.
- Before using your fridge, please call the nearest authorised service for help with the installation, operation and usage of your fridge.
- We do not accept responsibility for any damages that occur due to ungrounded usage.
- Place your fridge where it will not be exposed to direct sunlight.
- Your appliance should be at least 50 cm away from stoves, gas ovens and heater cores, and at least 5 cm away from electrical ovens.
- Your fridge should never be used outdoors or exposed to rain.
- When your fridge is placed next to a deep freezer, there should be at least 2 cm between them to prevent humidity forming on the outer surface.
- Do not place heavy items on the appliance.
- Do not place anything on your fridge, and install your fridge in a suitable place so that at least 15 cm of free space is available above it.
- If you will place your fridge next to your kitchen cabinets, leave a space of 2 cm between them.
- Install the plastic distance guide (the part with black vanes at the rear) by turning it 90° (as shown in the figure) to prevent the condenser from touching the wall.
- The refrigerator should be placed against a wall with a free space not exceeding 75 mm.
- Use the adjustable front legs to make sure your appliance is level and stable. You can adjust the legs by turning them in either direction. This should be done before placing food in the fridge.
- Before using your fridge, wipe all parts with a solution of warm water and a teaspoon of sodium bicarbonate, then rinse with clean water and dry. Place all parts in the fridge after cleaning.
- Do not use plug adapter



Before using your fridge

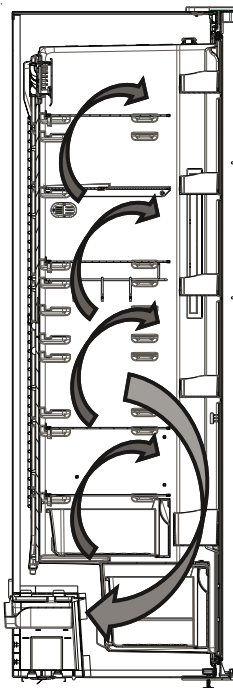
- When using your fridge for the first time, or after transportation, keep it in an upright position for at least 3 hours before plugging into the mains. This allows efficient operation and prevents damage to the compressor.
- Your fridge may have a smell when it is operated for the first time. This is normal and the smell will fade away when your fridge starts to cool.



Information on No-Frost Technology

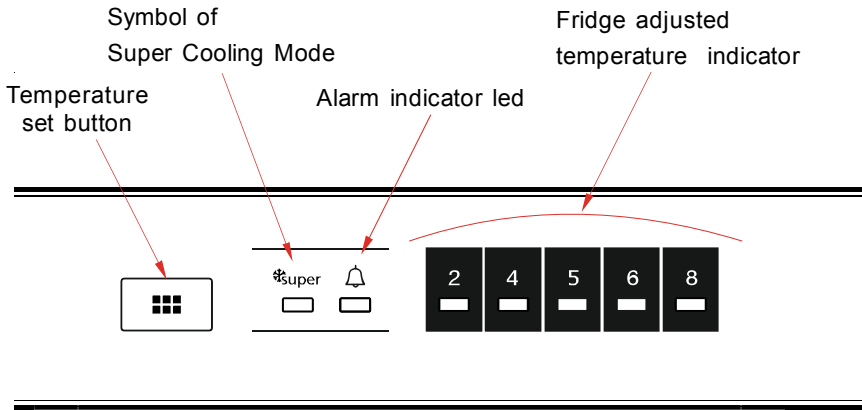
No-frost refrigerators differ from other static refrigerators in their operating principle.

In normal refrigerators the humidity entering the refrigerators due to opening the door and the humidity inherent in the food causes freezing in the backside of air duct. To defrost the frost and ice in the backside of air duct, you are periodically required to turn off the refrigerator, place the food that needs to be kept cooled in a separately cooled. The situation is completely different in no-frost refrigerators. Dry and cold air is blown into the refrigerator compartment homogeneously and evenly from several points via a blower fan. Cold air dispersed homogeneously and evenly between the shelves cools all of your food equally and uniformly, thus preventing humidity and freezing. Therefore your no-frost refrigerators allows you ease of use, in addition to its huge capacity and stylish appearance.



CHAPTER 2. USAGE INFORMATION

Control panel



Temperature set button

This button allows setting temperature of the fridge. In order to set values for fridge partition, press this button. Use this button also to activate Super Cooling mode.

Alarm light

In case of a problem within the fridge, the alarm led will release red light

Super Cooling Mode

When would it be used?

- To cooling huge quantities of food.
- To cooling fast food.
- To cooling food quickly.
- To store seasonal food for a long time.

How to use?

- Press temperature set button until super cooling light comes on.
- Super cooling led will light during this mode.
- For optimal appliance performance in maximum cooling capacity, set the appliance to active Super Cooling mode 6 hours before you put the fresh food into the fridge.

During this mode:

If you press temperature set button, the mode will be cancelled and the setting will be restored from 2.

Note: "Super cooling" mode will be automatically cancelled after 6 hours or when cooling sensor temperature drops beneath 2 °C.

Fridge Temperature Settings

- The initial temperature of the Setting Display is 5°C.
- Press fridge setting button once.

- Every time you press the button, the setting temperature will increase. (2°C, 4°C, 5°C, 6°C, 8°C, super cooling)
- If you press fridge setting button until super cooling symbol is displayed on your fridge
 - Settings Display and you do not press any button within the following 3 seconds,
 - Super cooling will blink.
- If you keep on pressing, it will restart from last value.

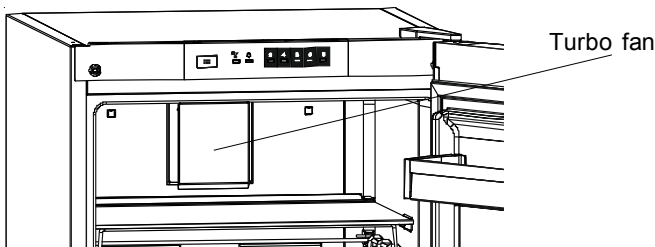
Warnings for temperature settings

- Your temperature adjustments will not be deleted when an energy breakdown occurs.
- Do not pass to another adjustment before completing an adjustment.
- Temperature adjustments should be made according to the frequency of door openings, the quantity of food kept inside the fridge and ambient temperature of the place of your fridge.
- Your fridge should be operated up to 24 hours according to the ambient temperature without interruption after being plugged in to be completely cooled.
- Do not open doors of your fridge frequently and do not place much food inside it in this period.
- A 5 minute delaying function is applied to prevent damage to the compressor of your fridge, when you take the plug off and then plug it on again to operate it or when an energy breakdown occurs. Your fridge will start to operate normally after 5 minutes.
- Your fridge is designed to operate in the ambient temperature intervals stated in the standards, according to the climate class stated in the information label. We do not recommend operating your fridge out of stated temperatures value limits in terms of cooling effectiveness.
- This appliance is designed for use at an ambient temperature within the 10°C - 38°C range.

Climate Class	Ambient Temperature (°C)
T	Between 16 and 43 (°C)
ST	Between 16 and 38 (°C)
N	Between 16 and 32 (°C)
SN	Between 10 and 32 (°C)
T/SN	Between 10 and 43 (°C)

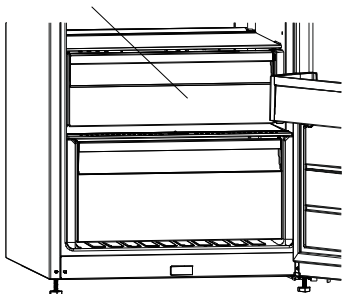
If turbo fan is available on your product ;

Do not block air inlet and outlet openings when storing food, otherwise air circulation that provided by turbo fan will be impaired.



Accessories

Chiller shelf (In some models)



Keeping food in the Chiller compartment instead of the freezer or refrigerator compartment allows food retain freshness and flavour longer, while preserving its fresh appearance. When chiller tray becomes dirty, remove it and wash it with water.

(Water freezes at 0°C, but foods containing salt or sugar freeze at temperature lower than that)

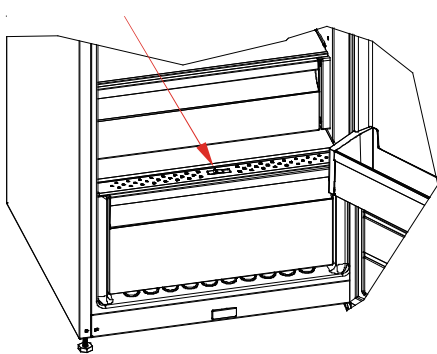
Normally people use the chiller compartment for raw fish, lightly pickled, rice, etc...

! Do not put foods you want to freeze or ice trays in order to make ice.

Removing the Chiller shelf

- Pull the chiller shelf out toward you by sliding on rails.
- Pull the chiller shelf up from rail to remove.

Fresh dial (In some models)



When the humidity controller in the closed position, it allows fresh fruit and vegetables to be stored longer.

In case of the crisper is totally full, the fresh dial is located in front of crisper, should be opened. By means of this the air in the crisper and humidity rate will be controlled and endurance life will be increased.

If you see any condensation on glass shelf, humidity control should be taken into the open positions.

Visual and text descriptions on the accessories section may vary according to the model of your appliance.

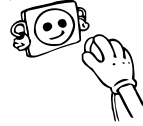
CHAPTER 3. ARRANGING FOOD IN THE APPLIANCE

- To reduce humidity and the consequent increase in frost, never place liquids in unsealed containers in the fridge compartment. Frost tends to concentrate in the coldest parts of the evaporating liquid and in time will more frequent defrosting will be required.
- Never place warm food in the fridge compartment. Warm food should be allowed to cool at room temperature and should be arranged to ensure adequate air circulation in the fridge compartment.
- Nothing should touch the back wall of the appliance as it will cause frost and packaging to stick to it. Do not open the fridge door too frequently.

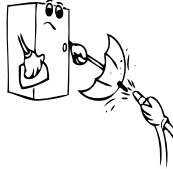
- Arrange meat and cleaned fish (wrapped in packages or sheets of plastic) which you intend to use in 1-2 days, in the bottom section of the fridge compartment.
- Store fruit and vegetable items loose in the crisper containers.

CHAPTER 4. CLEANING AND MAINTENANCE

- **Disconnect the unit from the power supply before cleaning.**

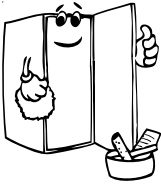
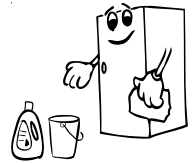


- Do not clean the appliance by pouring water.



- Make sure that no water enters the lamp housing and other electrical components.

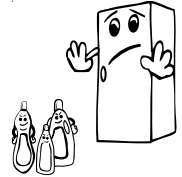
- The fridge should be cleaned periodically using a solution of bicarbonate of soda and lukewarm water.



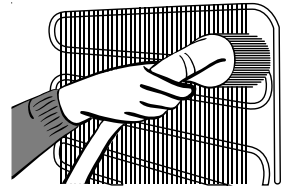
- Clean the accessories separately with soap and water do not clean them in the dishwasher.



- Do not use abrasive products, detergents or soaps. After washing, rinse with clean water and dry carefully. When you have finished cleaning, reconnect the plug to the mains supply with dry hands.



- Clean the condenser with a broom at least twice a year. This will help you to save on energy costs and increase productivity.



THE POWER SUPPLY MUST BE DISCONNECTED.

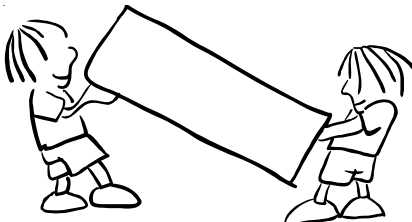
Replacing LED Lighting

If your fridge has LED lighting contact the help desk as this should be changed by authorized personnel only.

CHAPTER 5. TRANSPORTATION AND CHANGING OF INSTALLATION POSITION

Transportation and changing of installation position

- The original packages and foamed polystyrene (PS) can be retained if required.
- During transportation, the appliance should be secured with a wide string or a strong rope. The instructions written on the corrugated box must be followed while transporting.
- Before transporting or changing the installation position, all the moving objects (ie,shelves,crisper...) should be taken out or fixed with bands in order to prevent them from getting damaged.




Carry your fridge in the upright position.

Repositioning the door

- It is not possible to change the opening direction of your fridge door, if the door handle on your fridge is installed from the front surface of the door.
- It is possible to change the opening direction of the door on models without any handles.
- If the door opening direction of your fridge may be changed, you should contact the nearest authorised service agent to have the opening direction changed.

CHAPTER 6. BEFORE CALLING SERVICE

Alarm indicator led is turning on	ERROR TYPE	WHY	WHAT TO DO
	"Failure Warning"	There is/are some part(s) Out of order or there is a failure in cooling process. The product is plugged for the first time or a long-time power interruption for 1 hour.	Check the door is open or not and check if the product working 1 hour. If the door is not open and the product had worked 1 hour, call service for assistance as soon as possible.

If your fridge is not working properly, it may be a minor problem, therefore check the following, before calling an electrician to save time and money.

What to do if your appliance does not operate;

Check that;

- There is no power,
- The general switch in your home is disconnected ,
- The socket is not sufficient. To check this, plug in another appliance that you know which is working into the same socket.

What to do if your appliance performs poorly;

Check that;

- You have not overloaded the appliance ,
- The fridge temperature set to 2.
- The door is closed perfectly ,
- There is no dust on the condenser ,
- There is enough place at the rear and side walls.

If your fridge is operating too loudly;

Normal Noises

Cracking (Ice cracking) Noise:

- During automatic defrosting.
- When the appliance is cooled or warmed (due to expansion of appliance material).

Short cracking: Heard when the thermostat switches the compressor on/off.

Compressor noise: Normal motor noise. This noise means that the compressor operates normally Compressor may cause more noise for a short time when it is activated.

Bubbling noise and splash: This noise is caused by the flow of the refrigerant in the tubes of the system.

Water flow noise: Normal flow noise of water flowing to the evaporation container during defrosting. This noise can be heard during defrosting.

Air Blow Noise: Normal fan noise. This noise can be heard in fridges during normal operation of the system due to the circulation of air.

If the edges of fridge cabinet that the door joint contact are warm;

Especially in summer (hot weather), the surfaces that the joint contact may get warmer during the operation of the compressor, this is normal.

If humidity builds up inside the fridge;

- Are all food packed properly? Are the containers dried before placing them in the fridge?
- Is the fridge's door opened frequently? Humidity of the room gets in the fridge when the door is opened. Humidity build up will be faster when you open the door more frequently, especially if the humidity of the room is high.

If the door is not opened and closed properly;

- Do the food packages prevent closing of the door?
- Are the door compartments, shelves and drawers placed properly?
- Are door joints broken or torn?
- Is your fridge on a level surface?

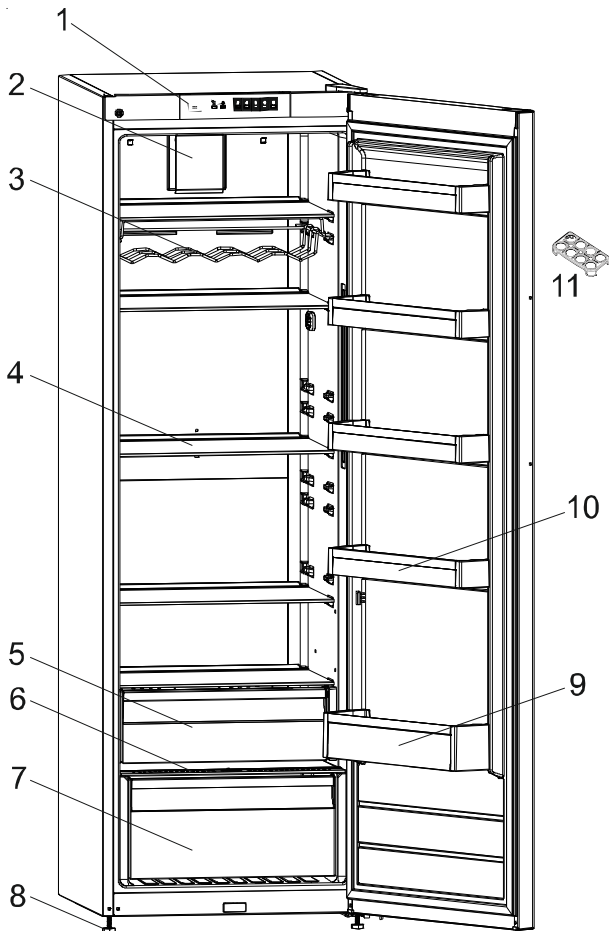
Recommendations

To stop the appliance completely, unplug from main socket (for cleaning and when the door is left open)

Tips for saving energy

- 1- Install the appliance in a cool, well ventilated room, but not in direct sunlight and not near a heat source (radiator, cooker.. etc). Otherwise use an insulating plate.
- 2- Allow warm food and drinks to cool down outside the appliance.
- 3- Cover drinks or other liquids when placing them in the appliance. Otherwise humidity increases in the appliance. Therefore, the working time gets longer. Also covering drinks and other liquids helps to preserve smell and taste.
- 4- Try to avoid keeping the doors open for long periods or opening the doors too frequently as warm air will enter the cabinet and cause the compressor to switch on unnecessarily often.
- 5- Keep the covers of the different temperature compartments (crisper, chiller ...etc) closed.
- 6- Door gasket must be clean and pliable. Replace gaskets if worn.

CHAPTER 7. THE PARTS OF THE APPLIANCE AND THE COMPARTMENTS



This presentation is only for information about the parts of the appliance.
Parts may vary according to the appliance model.

- | | |
|------------------------------------|-------------------|
| 1) Control panel | 7) Bottom crisper |
| 2) Turbo fan * | 8) Levelling feet |
| 3) Wine rack / bottle shelf * | 9) Bottle shelf |
| 4) Refrigerator shelves | 10) Door shelves |
| 5) Top crisper * / Chiller shelf * | 11) Egg holder |
| 6) Bottom crisper cover | |

* In some models

Indholdsfortegnelse

FØR IBRUGTAGNING	17
Generelle advarsler	17
Installation og betjening	20
SÅDAN ANVENDES DIT KØLESKAB	22
<i>Knap til temperaturindstilling af køleskabsdelen</i>	22
<i>Alarmlys</i>	22
<i>Superkølningsstilstand</i>	22
<i>Indstilling af køleskabets temperatur</i>	22
Advarsler for temperaturindstillinger	23
<i>Hvis der medfølger en turbo blæser på dit produkt.</i>	23
.....	23
Tilbehør	24
<i>Svalehylde</i>	24
.....	24
<i>Frisk-hjulet</i>	24
.....	24
GUIDE TIL OPBEVARING AF MADVARER	25
RENGØRING OG VEDLIGEHOLDELSE	25
TRANSPORT OG FLYTNING	26
Vending af dør	26
FEJLFINDING	26
GODE RÅD OM ENERGØ BESPARELSER	28
BESKRIVELSE AF SKABETS DELE OG INDRETNING	29

Generelle advarsler

ADVARSEL: Hold ventilationsåbninger, i apparatets kabinet eller i den indbyggede struktur, fri for forhindringer.

ADVARSEL: Brug ikke mekaniske anordninger eller andre midler til at fremskynde afrimningsprocessen, bortset fra dem, der anbefales af producenten.

ADVARSEL: Brug ikke elektriske apparater inde i apparatets fødevareopbevaringsrum

medmindre de er af den type, der anbefales af producenten.

ADVARSEL: Undgå at beskadige kølekredsløbet.

ADVARSEL: For at undgå fare på grund af ustabilitet ved apparatet, skal det fastmonteres i overensstemmelse med instruktionerne.

ADVARSEL: Ved placering af apparatet skal det sikres, at netledningen ikke klemmes eller beskadiges.

ADVARSEL: Placer ikke flere transportable stikdåser eller transportable strømforsyninger bag på apparatet.



Symbol ISO 7010 W021

Advarsel: Risiko for brand/brændbare materialer

- Denne model indeholder kølemidlet R600a, som er en miljøvenlig, men brandfarlig gasart. Sørg derfor for ikke at beskadige skabets kølekredsløb under transport og installation.
- Opbevar ikke eksplosive stoffer såsom spraydåser med en brændbar drivgas i dette apparat.
- Dette apparat er beregnet til brug i husholdninger og lignende applikationer såsom:
 - personalekøkkener i butikker, kontorer og andre arbejdsmiljøer
 - gårdhuse og af gæster på hoteller, moteller og andre beboelsesmæssige miljøer
 - bed & breakfast-miljøer
 - catering og lignende ikke-detailanvendelser

- Hvis stikkontakten ikke passer til køleskabets stik, skal det udskiftes af fabrikanten, vedkommendes serviceforhandler eller lignende kvalificerede personer for at undgå risici.
- Dette apparat må ikke anvendes af personer (herunder børn) med fysiske, sansemæssige eller mentale lidelser eller manglende erfaring og viden, med mindre de er under opsyn eller er blevet instrueret i brugen af apparatet af en person, som er ansvarlig for deres sikkerhed. Børn skal være under opsyn for at sikre, at de ikke leger med apparatet.
- Der er tilsluttet et specielt jordstik til dit køleskabs strømkabel. Dette stik skal bruges med en speciel jordforbundet stikkontakt på 16 ampere. Hvis der ikke er en sådan stikkontakt i dit hus, skal du have den installeret af en autoriseret elektriker.
- Dette apparat kan anvendes af børn i alderen fra 8 år og derover og personer med nedsatte fysiske, sansemæssige eller mentale evner eller mangel på erfaring og viden, hvis de er under opsyn eller er blevet instrueret i brugen af apparatet på en sikker måde og forstår den involverede fare. Børn må ikke lege med apparatet. Rengøring og vedligeholdelse af brugeren må ikke foretages af børn uden opsyn.
- Hvis forsyningsledningen bliver beskadiget, skal den udskiftes af fabrikanten, en serviceforhandler eller lignende kvalificerede personer for at undgå risici.
- Dette apparat er ikke beregnet til brug i højder over 2000 m.

Sikkerhedsanvisninger

- Hvis dit gamle skab er udstyret med en lås, skal denne ødelægges eller fjernes, før skabet bortskaffes, da børn ellers kan spærre sig selv inde i skabet og komme i livsfare.
- Gamle køleskabe og frydere indeholder isoleringsmateriale og CFC-kølemidler. Sørg derfor for at bortskaffe dit gamle skab på en miljømæssig korrekt og forsvarlig måde.



Dette apparat er klassificeret iht. det europæiske direktiv 2002/96/EF om affald af elektrisk- og elektronisk udstyr (waste electrical and electronic equipment - WEEE).

Dette direktiv angiver rammerne for indlevering og recycling af kasserede apparater gældende for hele EU.

VIGTIGT:

Læs brugervejledningen grundigt igennem, før skabet installeres og tages i brug. Vi er ikke ansvarlige for skader, som skyldes misbrug.

Følg alle instruktionerne, som er angivet på skabet og i denne brugervejledning. Sørg for at opbevare denne brugervejledning på et sikkert sted, da du kan få brug for den på et senere tidspunkt til at løse eventuelle problemer.

Sikkerhedsadvarsler

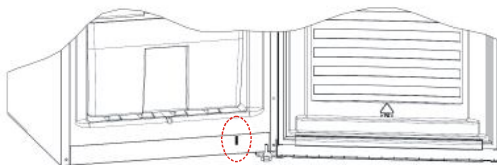
- Anvend ikke flerdobbelt stikdåser eller forlængerledning.
- Anvend ikke beskadigede, ødelagte eller gamle stik.



- Undlad at trække i, bøje eller beskadige ledningen.
- Dette produkt er beregnet til at blive betjent af voksne. Lad ikke børn lege med skabet eller hænge på døren.
- Sæt ikke stikket i og træk det ikke ud af stikdåsen med våde hænder, da dette kan give elektrisk stød.
- Anbring ikke eksplosive og brændbare stoffer i skabet af sikkerhedsmæssige hensyn. Anbring drikkevarer med et højt alkoholindhold lodret i skabet, og sørg for, at låget er skruet godt fast.
- Tildæk ikke skabet, da dette påvirker skabets ydeevne.
- Fastgør tilbehøret i skabet under transport for at forhindre, at tilbehøret beskadiges.
- Når døren lukkes, dannes der vakuum i skabet. Vent ca. 1 minut med at åbne døren igen.
- Brug ikke en stikadapter.

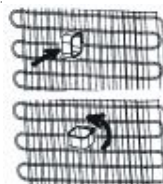


- Når døren lukkes, dannes der vakuum i skabet. Vent ca. 1 minut med at åbne døren igen.
- Denne enhed er valgfri til nem åbning af døren. Ved brug af denne enhed, kan der opstå en smule kondens omkring dette område, i hvilket tilfælde du skal tage den ud.



Installation og betjening

- Skabets driftsspænding er 220-240 V ved 50 Hz.
- Vi hæfter ikke for de skader, som måtte opstå, fordi der ikke anvendes en jordnet stikdåse.
- Anbring skabet på et sted, hvor det ikke udsættes for direkte sollys.
- Skabet skal anbringes mindst 50 cm fra komfurer, ovne og radiatorer og mindst 5 cm fra elektriske ovne.
- Anvend aldrig skabet udendørs, og udsæt det aldrig for regn.
- Hvis skabet placeres ved siden af en dybfryser, skal afstanden mellem skabet og dybfryseren være mindst 2 cm for at forhindre fugt på ydersiden.
- Anbring ikke noget oven på skabet, og installer skabet på et passende sted, således at der er mindst 15 cm frirum over skabet.
- Monter vægafstandsstykkerne i plast på kondensatoren, som sidder bag på skabet, for at forhindre, at skabet læner sig op ad væggen og dermed ikke fungerer tilfredsstillende.
- Hvis skabet placeres ved siden af køkkenskabe, skal afstanden mellem skabet og køkkenskabene være 2 cm.
- Installer plastdelen til afstandsjustering (den sidder på bagsiden og har sorte vinger) ved at dreje den 90° for at forhindre, at kondensatoren rører væggen.
- De justerbare fødder i front skal indstilles i en passende højde, således at skabet kører stabilt og korrekt. Benene justeres ved at dreje dem enten med eller mod uret. Dette skal gøres, før der lægges madvarer i skabet.
- Før ibrugtagning rengøres alle dele med varmt vand tilsat en teskefuld natron, hvorefter de skylles med rent vand og tørres. Efter rengøringen sættes alle delene på plads.



Før ibrugtagning

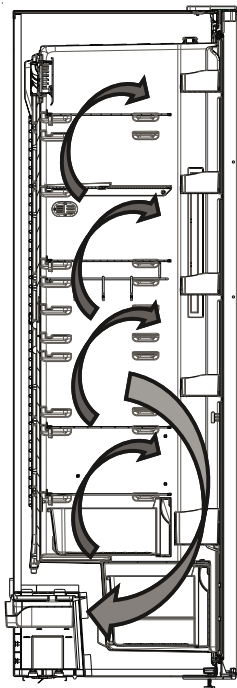
- Lad skabet stå op i 3 timer, inden det tages i brug første gang eller efter transport for at sikre en effektiv drift. Ellers kan kompressoren blive beskadiget.
- Skabet kan lugte, når det tages i brug første gang. Denne lugt forsvinder, når skabet begynder at køle.



Oplysninger om no-frost-teknologi

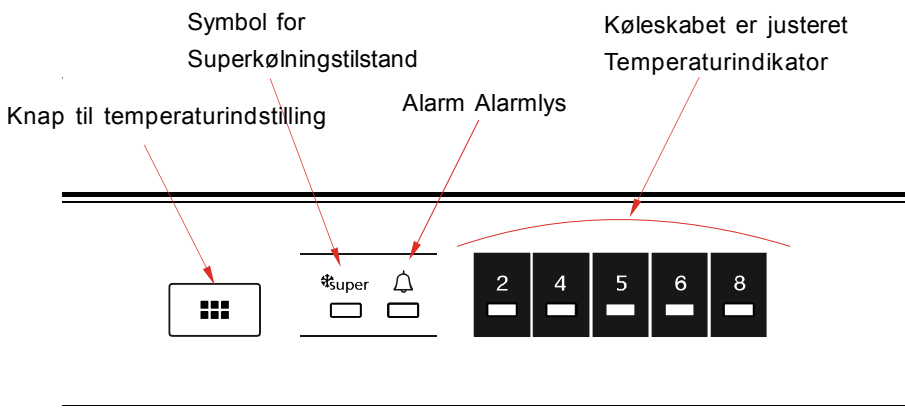
No-frost-køleskabe adskiller sig fra normale køleskabe med statiske kølesystemer.

I normale køleskabe er fugt i køleskabet, der fremkommer ved at døren åbnes, og at madvarer afgiver fugt, årsag til, at der dannes frost omkring luftkanalen bag i køleskabet. For at afrime frost og is i fryseren skal du med jævne mellemrum slukke køleskabet, lægge de madvarer, som skal holdes frosne, i en særskilt køleboks, og fjerne den is, der har samlet sig i fryseren. Det forholder sig helt anderledes med no-frost-køleskabe. Tør og kold luft blæses ensartet og jævnt ind i køle- og fryserummet fra flere steder af ved hjælp af en blæser. Kold luft spredes ensartet og jævnt mellem hylderne og køler alle dine madvarer lige meget, hvilket forhindrer fugt og frysning. Dit no-frost-køleskab giver dig dermed en øget brugervenlighed, ud over dets enorme kapacitet og stilfulde udseende.



KAPITEL 1. SÅDAN ANVENDES DIT KØLESKAB

Betjeningspanel



Knap til temperaturindstilling af køleskabsdelen

Med denne knap kan køleskabets temperatur indstilles. Tryk på denne knap for at indstille temperaturen for køleskabsdelen. Brug også denne knap til at aktivere superkølningstilstanden.

Alarmlys

Hvis der opstår et problem i køleskabet, lyser alarmlyset rødt.

Superkølningstilstand

Hvad bruges den til?

- Til at køle store mængder madvarer.
- Til at køle fast food.
- Til at køle madvarer hurtigt.
- Til at opbevare sæsonbestemte madvarer i lang tid.

Hvordan anvendes den?

- Hold knappen til temperaturindstilling nede, indtil superkølningslyset tænder.
- Superkølningslyset tænder, når køleskabet er i denne tilstand.
- Aktivér superkølningstilstanden 6 timer før, du lægger de ferske madvarer i køleskabet, for at udnytte apparatets ydeevne og kølekapacitet fuldt ud.

I denne tilstand:

Hvis du trykker på knappen til temperaturindstilling, annulleres tilstanden, og indstillingerne slår tilbage til 2 °C.

Bemærk: "Superkølningstilstanden" annulleres automatisk efter 6 timer, eller når køletemperaturen falder til under 2 °C.

Indstilling af køleskabets temperatur

- Den indledende temperatur på indstillingspanelet er sat til 5 °C.
- Tryk på knappen for indstilling af køleskabet én gang.

- Hver gang du trykker på knappen, stiger den indstillede temperatur. (2 °C, 4 °C, 5 °C, 6 °C, 8 °C, superkøling)
- Hvis du holder knappen til indstilling af køleskabet nede, indtil superkølnings symbolet vises på køleskabets
 - indstillingspanel, og du ikke trykker på nogen anden knap i de næste 3 sekunder,
 - blinker superkølningslyset.
- Hvis du bliver ved med at holde knappen nede, genstarter den med den seneste temperaturindstilling.

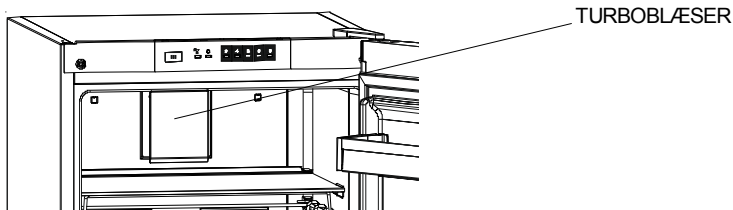
Advarsler for temperaturindstillinger

- Omgivelsernes temperatur, temperaturen af nyligt anbragte madvarer, og hvor ofte døren åbnes, påvirker temperaturen i køleskabets rum. Hvis det er nødvendigt, kan temperaturindstillingen reguleres.
- Temperaturen skal indstilles under hensyntagen til, hvor ofte køleskabsdøren åbnes og lukkes, hvor meget mad, der er opbevaret i køleskabet, og omgivelserne og placeringen af køleskabet.
- Vi anbefaler, at når køleskabet anvendes første gang, skal det stå og køre i 24 timer uafbrudt for at sikre, at den er helt afkølet. Undlad at åbne køleskabets døre eller sætte mad ind i denne periode.
- Dit køleskab har en 5 minutters indbygget forsinkelsesfunktion, som er designet til at undgå beskadigelse af kompressoren. Når der er strøm på dit køleskab, begynder det at fungere normalt efter 5 minutter.
- Dit køleskab er designet til at fungere i de omgivelsernes temperaturintervaller, som er angivet i standarderne i følge klimaklassen som det fremgår af oplysningsmærkatet. Det anbefales, at dit køleskab ikke bruges i omgivelser, der er uden for de angivne temperaturintervaller af hensyn til køleeffektiviteten.
- Dette apparat er designet til brug ved en omgivende temperatur i et område mellem 10°C og 38°C.

Klimaklasse	Omgivelsestemperatur (°C)
T	Mellem 16 og 43 (°C)
ST	Mellem 16 og 38 (°C)
N	Mellem 16 og 32 (°C)
SN	Mellem 10 og 32 (°C)

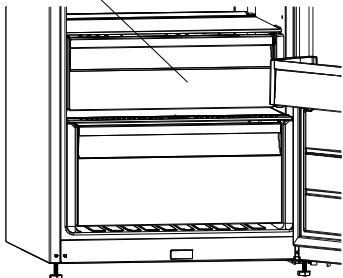
Hvis der medfølger en turbo blæser på dit produkt.

Undlad at blokere luftindtag og udgangsåbninger, når der opbevares mad, da luftcirkulationen, der leveres af turbo blæseren, vil blive forringet.



Tilbehør

Svalehylde (Ikke i alle modeller)



At opbevare maden i svalerummet i stedet for i fryseren eller i køleskabet betyder, at maden bevarer friskhed og smag længere og samtidigt bevarer sit friske udseende. Når svalebakken bliver snavset, skal den tages ud og vaskes med vand.

(Vand fryser ved 0 °C, men fødevarer, der indeholder salt eller sukker fryser ved lavere temperatur end det)

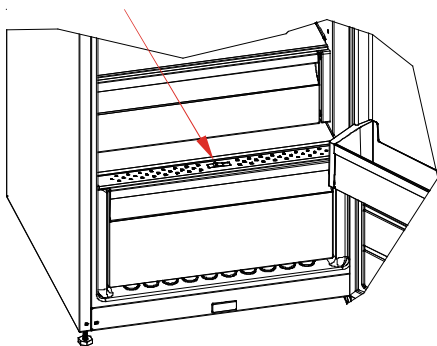
Normalt anvender man svalerummet til rå fisk, ris osv...

Anbring ikke madvarer, som du vil fryse ned, her, ej heller isbakker for at lave isterninger.

Udtagning af svalehylden

- Træk svalehylden mod dig selv ved at lade den glide frem på rillerne.
- Træk svalehylden op af rillen for at fjerne hylden.

Frisk-hjulet (Ikke i alle modeller)



Fugtighedsregulatoren i sin lukkede position giver mulighed for, at frisk frugt og grøntsager opbevares længere.

Hvis grøntsagsrummet er helt fyldt op, skal friskhjulet, som findes på forsiden af grøntsagsrummet, åbnes. Når du åbner den, vil temperatur og fugtighed i grøntsagsskuffen falde.

Hvis du opdager kondens på glashylden, kan du indstille fugtighedskontrolplastikket i sin åbne position.

Visuelle og tekstuelle beskrivelser i afsnittet om tilbehør kan variere, alt efter hvilken model du har.

KAPITEL 3. GUIDE TIL OPBEVARING AF MADVARER

- For at reducere opbygningen af rim i køleskabet bør du aldrig anbringe væsker i beholdere uden låg.
- Lad varm mad køle ned, inden den anbringes i køleskabet. Dette hjælper med til at reducere strømforbruget.
- Sørg for, at intet i skabet berører bagvæggen for at undgå ophobning af rim .
- Det koldeste område i køleskabet er nederst. Vi anbefaler at bruge dette område til at opbevare fødevarer, der let fordærves, såsom fisk, færdigretter, bagværk eller mejeriprodukter. Det varmeste område er den øverste hylde i døren. Vi anbefaler, at du anbringer smør og ost her.

KAPITEL 4. RENGØRING OG VEDLIGEHOLDELSE

- Sørg for at trække stikket ud, før rengøringen påbegyndes.



- Afvask ikke skabet med rindende vand.

- Tør skabets indvendige og udvendige sider af med en blød klud eller svamp opvredet i varmt sæbevand.



- Tag skabets dele ud enkeltvis, og rengør dem med sæbevand. Vask ikke delene i opvaskemaskine.

- Rengør aldrig med brændbare, eksplosive eller ætsende produkter såsom fortynder, gas eller syre.



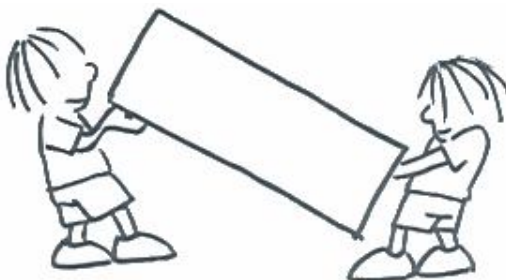
- Sørg for, at stikket er trukket ud under rengøringen.

Udskiftning af LED-belysning

Hvis dit køleskab har LED-belysning, så tag kontakt til Sharps kundeservice, da en udskiftning skal foretages af autoriseret servicepersonale.

KAPITEL 5. TRANSPORT OG FLYTNING

- Originalemballage og skum kan evt. gemmes til senere transport af skabet.
- Emballer skabet forsvarligt, og fastgør emballagen med tape eller stærk snor. Følg anvisningerne på emballagen vedr. senere transport af skabet.
- Fjern bevægelige dele (hylder, tilbehør, grønsagsskuffer etc.) eller fastgør dem i skabet ved hjælp af tape, så de undgår stød, når skabet transporteres eller flyttes.
- Bær skabet i lodret stilling.



Vending af dør (Gælder for nogle modeller)

Det er muligt at vende døren. Få hjælp hertil hos det nærmeste autoriserede servicecenter.

KAPITEL 6. FEJLFINDING

Alarmlyset tænder	FEJLTYPPE	HVORFOR	SÅDAN GØR DU
	"Fejl advarsel"	Der er en eller flere dele, som ikke virker, eller der er opstået en fejl under køleprocessen. Produktet sættes til strøm første gang eller efter en langvarig strømafbrydelse på over 1 time.	Kontrollér, om døren er åben eller ej, og kontrollér, om produktet har virket i 1 time. Hvis døren ikke står åben, og produktet har virket i 1 time, kontakt Sharp Kundeservice så hurtigt som muligt.

Hvis dit køleskab ikke fungerer korrekt, kan det skyldes et mindre problem, og derfor skal du kontrollere følgende, før du ringer til en elektriker, for at spare tid og penge.

Sådan gør du, hvis apparatet ikke fungerer:

Kontrollér, om:

- der er strøm,
- hovedafbryderen i dit hjem er slået fra,
- stikkontakten ikke er tilstrækkelig. For at kontrollere dette skal du tilslutte et andet apparat, som du ved fungerer, i det samme stik.

Sådan gør du, hvis apparatet ikke fungerer korrekt:

Kontrollér, om:

- du har overbelastet apparatet,
- køleskabets temperatur er indstillet på 2,
- døren er lukket helt til,
- der er støv på kondensatoren,
- der er nok plads bag ved og ved siden af apparatet.

Hvis køleskabet larmer for meget:

Normal støj

Knasende lyd (is der knaser):

- Under automatisk afrimning.
- Når apparatet afkøles eller opvarmes (på grund af udvidelsen af apparatets materialer).

Korte knaselyde: Høres, når termostaten tænder/slukker for kompressoren.

Kompressorstøj: Normal motorstøj. Denne støj betyder, at kompressoren fungerer normalt. Kompressoren kan støje mere i en kort periode, når den aktiveres.

Boblende lyde og plask: Denne støj forårsages af kølemidlet, der flyder rundt i systemets rør.

Lyd af strømmende vand: Normal lyd af vand, der strømmer til fordampningsbeholderen under afrimning. Denne støj kan høres under afrimning.

Støj fra luftblæser: Normal blæserlyd. Denne støj kan høres, når køleskabet er i normal drift, på grund af luftcirkulation.

Hvis kanterne ved køleskabets dør er varme:

Især om sommeren (i varmt vejr) kan overfladerne ved samlingerne blive varme, når kompressoren kører. Dette er normalt.

Hvis der ophobes fugt i køleskabet:

- Er alle madvarer pakket ordentligt ind? Tørres beholderne af, før de sættes i køleskabet?
- Åbnes køleskabsdøren ofte? Fugtighed fra rummet kommer ind i køleskabet, når døren åbnes. Fugtighed ophobes hurtigere, når døren åbnes ofte, især hvis luftfugtigheden i rummet er høj.

Hvis døren ikke åbnes og lukkes korrekt:

- Forhindrer madvarerne at døren kan lukkes?
- Er alle dørens rum, hylder og skuffer placeret korrekt?
- Er dørens samlinger i stykker eller revnede?
- Står dit køleskab på en plan overflade?

Anbefalinger

- For at slukke apparatet helt (under rengøring, og når døren efterlades åbn), skal du tage stikket ud af stikkontakten.

GODE RÅD OM ENERGØ BESPARELSER

1– Monter apparatet i et køligt, godt ventileret rum, men ikke i direkte sollys og ikke i nærheden af en varmekilde (radiator, komfur.. etc). Brug ellers en isoleringsplade.

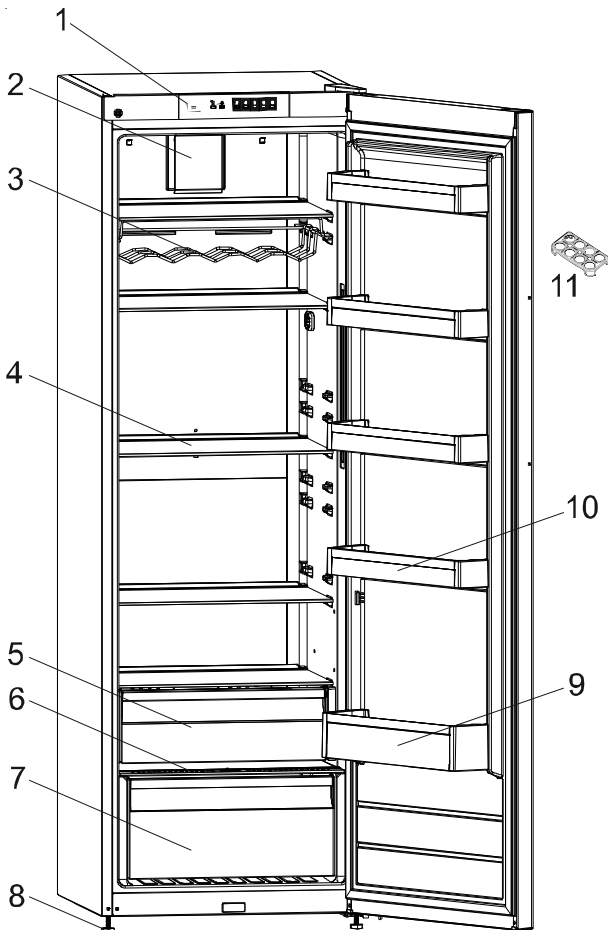
2– Lad varm mad og drikkevarer køle ned uden for apparatet.

3–Drikkevarer og våde madvarer skal være tildækkede. Ellers vil luftfugtigheden stige i apparatet. Dette medfører til, at arbejdstiden bliver længere. Ydermere vil tildækning af drikkevarer og våde madvarer bevare duft og smag.

4– Når du placerer mad- og drikkevarer, hold apparatets dør åben så kort som muligt.

5–Søg for at holde lågende til de forskellige temperaturodelinger af apparatet lukket (grøntsagsskuffe, nedfryser ... etc.).

6– Dørpakningen skal være ren og bøjelig. Udskift pakningerne, når de bliver slidte.



This presentation is only for information about the parts of the appliance.
Parts may vary according to the appliance model.

- 1) BETJENINGSPANEL
- 2) TURBOBLÆSER (MODELLER M. GLASHYLDER)
- 3) VINHYLDE
- 4) GLASHYLDER ELLER TRÅDHYLDER (VALGFRI)
- 5) ØVERSTE GRØNTSAGSSKUFFE (VALGFRI)
- 6) HYLDE OVER NEDERSTE GRØNTSAGSSKUFFE (SIKKERHEDSGLAS*)

- 7) NEDERSTE GRØNTSAGSSKUFFE
- 8) JUSTERBARE FØDDER
- 9) FLASKEHOLDER
- 10) DØRHYLDER
- 11) ÆGGEBAKKE

* På visse modeller

Innholdsfortegnelse

FØR DU BRUKER APPARATET	31
Generelle advarsler	31
Sikkerhetsanvisninger	33
Tips	34
Installasjon og oppstart	35
Før du begynner å bruke skapet	35
HVORDAN BRUKE KJØLESKAPET DITT	37
RETNINGSLINJER FOR OPPBEVARING AV MAT	39
RENGJØRING OG VEDLIKEHOLD	40
TRANSPORT OG FLYTTING	41
Omhengsling av dør	41
TIPS FOR Å SPARE ENERGI	43
SKAPETS DELER	44

DEL 1. FØR DU BRUKER APPARATET

Generelle advarsler

ADVARSEL: Hold ventileringsåpninger, i apparatets kabinett eller i den innebygde strukturen, fri for hindringer.

ADVARSEL: Ikke bruk mekaniske enheter eller andre måter for å akselerere avisningsprosessen, annet enn det som er anbefalt av produsenten.

ADVARSEL: Ikke bruk elektriske apparater inne i matvarekammerne i apparatet, med mindre de er av en type som er anbefalt av produsenten.

ADVARSEL: Ikke skad kjølekretsen.

ADVARSEL: For å unngå fare forårsaket av et ustabilt apparat, må det fikses slik det står i instruksjonene.

ADVARSEL: Når du plasserer apparatet, må du påse at strømledningen ikke blir sittende fast eller kommer til skade.

ADVARSEL: Du må ikke plassere flere skjøteledninger eller strømkontakter bak apparatet.



Symbol ISO 7010 W021

Advarsel: Risiko for brann / brennbare materialer

- Dersom apparatet bruker R600a som et kjølemiddel
- kan du få denne informasjonen fra kjølerens etikett
- du bør være forsiktig under frakt og installasjon for å hindre skade på kjøleelementene. Selv om R600a er en miljøvennlig og naturlig gass. Siden den er eksplosiv må du, dersom det er en lekkasje, flytte kjøleskapet ditt fra åpen flamme eller varmekilder, og ventilere rommet der apparatet står i noen få minutter.
- Mens du bærer og setter på plass kjøleskapet, ikke ødelegg kjølegasskretsen.
- Ikke lagre eksplosivt materiale slik som aerosol-kanner med flammende drivstoff i dette apparatet.

- Apparatet er ment å brukes i husholdninger og lignende apparater som;
 - personalkjøkken i butikker, kontor og andre jobbsteder
 - gårdshus og klienter på hotell, motell og andre overnattingssteder
 - hærberger og lignende
 - catering og lignende ikke-detalj apparater
- Dersom støpstelet ikke passer til kjøleskapsledningen, må den byttes av produsenten, serviceagenten eller lignende kvalifisert personell for å unngå fare.
- Et spesielt jordet støpsel har blitt koblet til strømkabelen på kjøleskapet ditt. Dette støpselet bør brukes med en spesiell jordet stikkontakt på 16 amp. Dersom det ikke finnes en slik stikkontakt i huset ditt, vennligst få det installert av en autorisert elektriker.
- Dette apparatet kan brukes av barn fra 8 år og oppover, og personer med redusert helse eller med mangel på erfaring og kunnskap dersom de har tilsyn eller blir instruert i riktig og sikker bruk, og forstår faren som er involvert. Barn skal ikke leke med apparatet. Vasking og vedlikehold skal ikke utføres av barn uten tilsyn.
- Dersom ledningen er skadet, må den skiftes av produsenten, dens serviceagent eller lignende kvalifisert personell for å unngå fare.
- Dette apparatet skal ikke brukes i høyder som overstiger 2000 moh.

Sikkerhetsanvisninger

- Modellen inneholder R600a – se typeskiltet - (isobutan), en naturgass som er meget miljøvennlig, men også brannfarlig.
- Vær forsiktig under transport og installasjon, slik at ingen av komponentene i kjølekretsen blir skadet. Ved eventuell skade må du unngå åpen ild eller gnistdannelser og sørge for god ventilasjon i rommet.
- Ikke bruk mekaniske deler eller andre kunstige produkter til å fremskynde avrimingen.
- Ikke bruk elektriske apparater i oppbevaringsrommene.
- Hvis dette skapet skal erstatte et gammelt skap utstyrt med lås, sperre eller lignende, må sikkerhetsanvisningene følges for å unngå at barn blir låst inne i skapet og på den måten hindre ulykker.
- Gamle kjøleskap og fryserer inneholder en kjølegass som består av isoleringsmateriale og CFC. Sørg derfor for å opptre varsomt og ta hensyn til miljøet når du kasserer det gamle skapet.

VIKTIG INFORMASJON:

Les denne brukerhåndboken grundig før du installerer skapet og tar det i bruk. Vårt selskap kan ikke holdes ansvarlig for eventuelle skader som oppstår som følge av manglende forsiktighet og oppmerksomhet.



Dette apparatet er klassifisert i henhold til det europeiske direktivet 2002/96/EF om avhending av elektrisk- og elektronisk utstyr (waste electrical and electronic equipment - WEEE).

Direktivet angir rammene for innlevering og gjenvinning av innbytteprodukter.

Tips

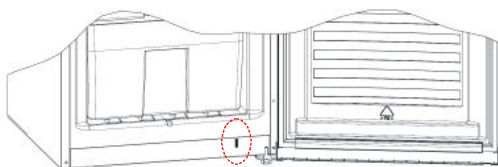
- Ikke bruk skjøteledning.
- Ikke bruk støpsler som er skadet eller ikke sitter ordentlig i stikkontakten.
- Ikke trekk i, bøye eller skad kablen.



- Dette produktet er beregnet på voksne. Ikke la barn håndtere produktet alene eller henge i døren.
- Ikke trekk støpselet ut av stikkontakten med våte hender.
- Ikke plasser kullsyreholdige drikker i glassflasker eller bokser i fryserommet. Flasker og bokser kan eksplodere.
- Flasker som inneholder alkohol må lukkes forsvarlig og settes vertikalt i skapet.
- Av sikkerhetsmessige hensyn må du ikke plassere eksplosive eller brannfarlige stoffer i skapet. Drikker med høy alkoholprosent skal lukkes forsvarlig og plasseres i vertikal stilling i skapet.
- Det må ikke brukes adapter på kontakten.
- Dette skapet er ikke beregnet på bruk av personer (deriblant barn) med reduserte fysiske, sensoriske eller mentale evner eller personer uten erfaring og kunnskap, med mindre de er under tilsyn av eller har fått instruksjon av en ansvarlig person vedrørende bruk. Hold alltid tilsyn med barn for å hindre at de leker med skapet.
- Hvis strømkablen er skadet, må den skiftes av produsenten eller en servicetekniker.

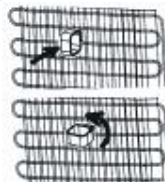


- Når døren til kjøleboksen er lukket, vil vakuum oppstå. Vent i ca. 1 minutt til å åpne den igjen.
- Denne måten er optimal for å enkelt åpne døren. Det kan oppstå litt kondens, dette kan du fjerne.



Installasjon og oppstart

- Skapet er beregnet på 220-240 V 50 Hz.
- Før du tar skapet i bruk, bør du be om bistand til installasjon, bruk og oppstart fra nærmeste autoriserte servicetekniker. Du finner en liste over disse i håndboken "Vestel White Goods Authorized Services Manual", som fulgte med skapet.
- Det er montert et spesielt jordet støpselet på skapets strømkabel.
- Dette støpselet skal brukes i en spesiell jordet stikkontakt med 16 ampere. Har du ikke en slik kontakt, må du få den installert av en autorisert elektriker.
- Vårt selskap kan ikke holdes ansvarlig for skader som kan oppstå i forbindelse med ujordete installasjoner.
- Plasser skapet på et hensiktsmessig sted hvor det ikke er utsatt for direkte sollys.
- Skapet må ikke brukes utendørs og må ikke utsettes for regn.
- Skapet skal plasseres minst 50 cm fra varmekilder som komfyrer, ovner eller radiatorer og minst 5 cm fra elektriske ovner.
- Det må være en avstand på minst 15 cm mellom skapet og taket.
- Ikke plasser tunge gjenstander oppå skapet.
- Hvis skapet bygges inn sammen med en fryser, må det være en avstand på minst 2 cm mellom skapene for å unngå kondens på de utvendige flatene.
- Ikke plasser større mengder(!) varm mat i skåler eller på tallerkener høyest oppe. Det kan skade den øverste hyllen.
- Monter plastbeskyttelsen til kondensatoren bak på skapet for å hindre kontakt med veggen.
- For å hindre vibrasjoner i skapet, benytter du de fremre føttene til å oppnå riktig høyde og balanse. Det gjøres ved å skru på de regulerbare føttene.
- Utsiden av skapet og tilbehøret skal rengjøres med en blanding av vann og flytende såpe. Innsiden rengjøres med bikarbonat og lunkent vann. Tilbehøret settes på plass igjen når det er tørt.
- Dette skapet er ikke beregnet på bruk av personer (deriblant barn) med reduserte fysiske, sensoriske eller mentale evner eller personer uten erfaring og kunnskap, med mindre de er under tilsyn av eller har fått instruksjon av en ansvarlig person vedrørende bruk. Hold alltid tilsyn med barn for å hindre at de leker med skapet.
- Hvis strømkabelen er skadet, må den skiftes av produsenten eller en autorisert servicetekniker.



Før du begynner å bruke skapet

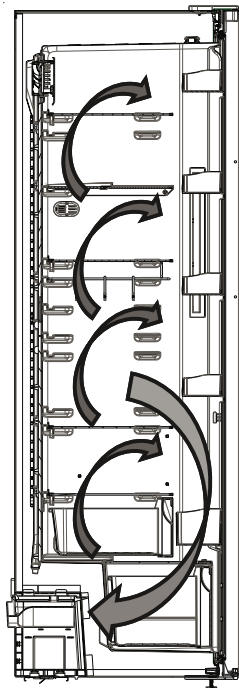
- Vent 3 timer før du kobler skapet til strømforsyningen – dette for å oppnå optimal ytelse.
- Første gang du slår på skapet kan det avgi litt lukt. Lukten forsvinner når skapet begynner å bli kaldt.

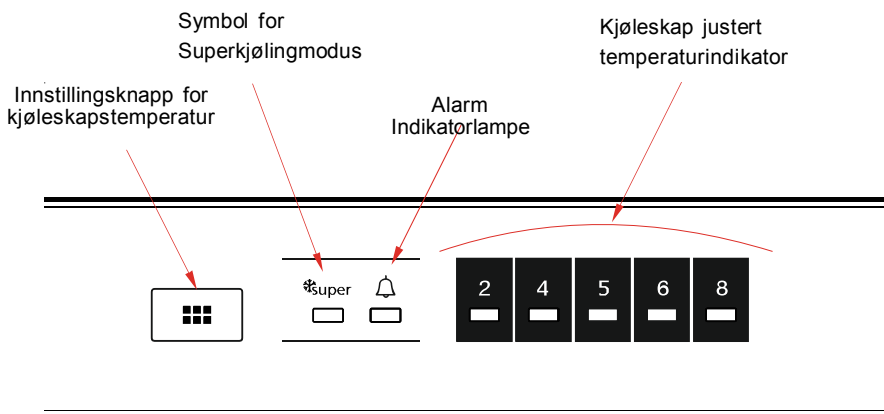


Informasjon om frostfri-teknologi

Frostfrie kjøleskap skiller seg fra andre statiske kjøleskap i sine bruksprinsipper.

I vanlige kjøleskap fører fuktigheten som kommer inn i kjøleskapet når man åpner døren eller fra fuktigheten fra maten til dannelse av på baksiden av luftkanalen. For å avrime og fjerne isen på baksiden av luftkanalen må du i blant slå av kjøleskapet, Plasser maten som må holde seg frossen i en separat kjølebeholder. Situasjonen er en helt annen med frostfrie kjøleskap. En vifte blåser tørr og kald luft jevnt fordelt på flere punkter inn i kjøleskapet. Kald luft spres jevnt fordelt mellom hyllene og kjøler all maten likt og ensartet, noe som hindrer fuktighet og frysing. Derfor er det frostfrie kjøleskapet enkelt i bruk, i tillegg til at det har en enorm kapasitet og har et elegant utseende.



Control panel**Innstillingsknapp for temperatur i kjøleskapsdel**

Denne knappen brukes til innstilling av temperaturen i kjøleskapet. Trykk på denne knappen for å angi verdier for kjøleskapsdelen. Bruk denne knappen til å aktivere superkjølingmodus.

Alarmlampe

Hvis det er et problem med kjøleskapet, lyser denne knappen rødt.

Superkjølingmodus**Når brukes denne?**

- Når du skal kjøle ned store mengder mat.
- Til rask avkjøling av ferdiglaget mat.
- Til rask nedkjøling av mat.
- For å lagre sesongens mat over lenger tid.

Hvordan brukes denne?

- Trykk på temperaturinnstillingsknappen helt til superkjølingslampen tennes.
- Superkjølingslampen lyser i denne modusen.
- For å oppnå maksimal ytelse ved maksimal kjølekapasitet må du sette apparatet i aktiv superkjølingsmodus 6 timer før du setter maten i kjøleskapet.

Når denne modusen er aktiv:

Hvis du trykker på temperaturinnstillingsknappen, avbrytes modusen og innstillingen gjenopprettes fra 2.

NB! "Superkjøling" avbrytes automatisk etter 6 timer eller når kjøleskapstemperaturen faller under 2 °C.

Innstillinger for kjøleskapstemperatur

- Utgangstemperaturen som vises på innstillingskjermen er 5 °C.

- Trykk én gang på kjøleskapsinnstillingsknappen.
- Innstillingstemperaturen økes hver gang du trykker på knappen. (2 °C, 4 °C, 5 °C, 6 °C, 8 °C, superkjøling)
- Hvis du trykker på kjøleskapsinnstillingsknappen helt til frysersymbolet vises på
- Kjøleskapsinnstillingsskjermen og ikke trykker på noen knapper i løpet av de neste 3 sekundene,
- Superkjølingslampen begynner å blinke.
- Hvis du fortsetter å trykke, starter innstillingen fra begynnelsen igjen.

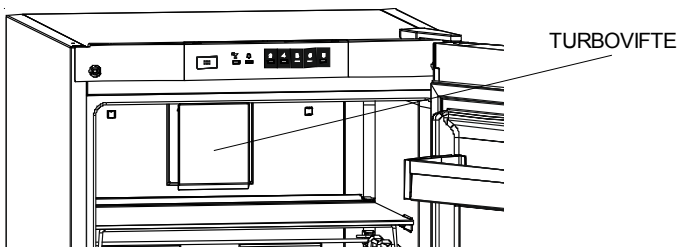
Advarsler for temperaturinnstillinger

- Omgivelsestemperaturen, temperaturen av den ferske lagrede mat og hvor ofte døren åpnes, påvirker temperaturen i kjøleseksjonen. Endre temperaturinnstillingen, hvis det er nødvendig.
- Temperaturinnstillingen bør settes ved å ta hensyn til hvor ofte døren åpnes og lukkes, hvor mye mat er lagret i kjøleskapet og miljøet og plasseringen av apparatet.
- Når kjøleskapet skal brukes for første gang, er vår anbefaling å la det fungere i 24 timer for å sikre at det er helt avkjølt. Døren må ikke åpnes og mat må ikke settes inne under denne perioden.
- Kjøleskapet har en 5 minutters innebygd forsinkelsesfunksjon, som er utviklet for å hindre skader på kompressoren. Når strømmen slås på, vil kjøleskapet begynne å fungere som normalt etter 5 minutter.
- Kjøleskapet er laget for å operere i temperaturintervaller som er angitt i kravene, i henhold til klimaklassen som er angitt i informasjonsetiketten. Kjøleskapet må ikke brukes ved temperaturer som er utenfor de oppgitte temperaturintervallene i forhold til kjøleeffekt.
- Dette apparatet er beregnet for bruk i en omgivelsestemperatur i 10°C - 43°C.

Klimaklasse	Romtemperatur (°C)
T	Mellom 16 og 43
ST	Mellom 16 og 38
N	Mellom 16 og 32
SN	Mellom 10 og 32

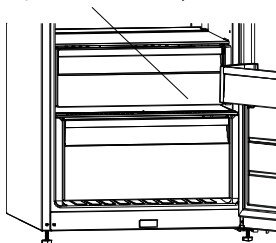
Hvis produktet ditt har turbovifte:

Ikke blokker luftinntakene eller luftutløpene når du oppbevarer mat. Dette kan føre til at turboviften ikke kan produsere tilstrekkelig luftsirkulasjon.



Tilbehør

Hylle i chiller (I noen modeller)



Hvis maten holdes i chiller i stedet for fryser eller kjøleskap, vil maten beholde friskhet og smak for en lengre periode og vil samtidig bevare friskt utseende. Hvis skuffen blir skitten, fjern den og vaske den med vann.

(Vann fryser ved 0 °C, men matvarer som inneholder salt eller sukker fryser ved lavere temperaturer)

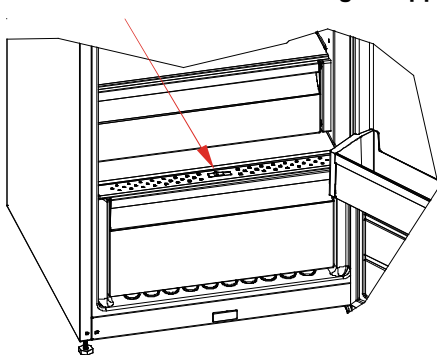
Chiller brukes vanligvis for rå fisk, ris, o.l. ...

Ikke legg matvarer du ønsker å fryse i isterningbrett

Fjerne hyllen i kjøleren;

- Trekk hyllen i chiller mot deg ved å skyve den langs skinnene.
- Trekk hyllen i chiller opp fra skinnen for å fjerne den.

Grønnsaksskuff luft-innstillingsknappen (I noen modeller)



Fuktighetsregulatoren i lukket posisjon gjør at frisk frukt og grønnsaker kan oppbevares lenger.

Hvis grønnsaksskuffen er helt full, bør fresh dial foran grønnsaksskuffen åpnes. Når du åpner den, vil temperaturen og luftfuktigheten i grønnsaksskuffen reduseres.

Hvis du oppdager kondens på glasshyllen, kan du stille inn fuktighetskontrollen til åpen stilling.

Bilder og tekstbeskrivelser på tilbehørseksjonen kan variere ut fra apparatmodellen.

DEL 3.

RETNINGSLINJER FOR OPPBEVARING AV MAT

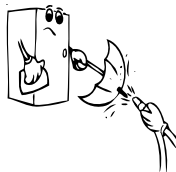
- For å redusere frost som bygde opp, må væsker med utette beholdere aldri plasseres i kjøleskapet.
- La varm mat avkjøle seg før lagring. Dette bidrar til å redusere strømforbruket.
- For å unngå oppbygging av frost, må du sikre at ingenting som lagres vil berøre bakveggen.
- Det kaldeste området i kjøleskapet ligger nederst. Vi anbefaler å bruke dette området til å lagre mat som vil omkomme lett, slik som fisk, ferdigretter, bakevarer eller meieriprodukter. Det varmeste området er den øverste hyllen på døren. Vi anbefaler deg å lagre smør eller ost her.

DEL 3. RENGJØRING OG VEDLIKEHOLD

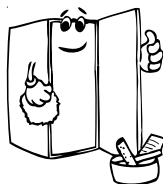
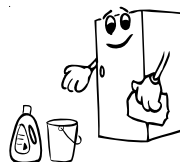
- Sørg for å koble skapet fra strømforsyningen før du starter rengjøring.



- Ikke rengjør skapet ved å helle vann i det.



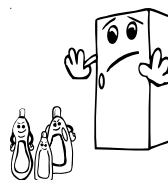
- Kjølerommet skal rengjøres med jevne mellomrom, med bikarbonat og lunkent vann.



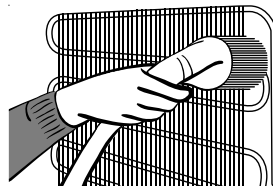
- Rengjør tilbehøret for seg med såpe og vann. Ikke bruk oppvaskmaskin.



- Ikke bruk slipende rengjøringsmidler, løsemidler eller oppvaskmidler.. Skyll med rent vann etter rengjøring. Tørk ordentlig. Etter rengjøring settes støpselet i stikkkontakten med tørre hender.



- Kondensatoren rengjøres med børste minst to ganger i året for å spare energi.



Sørg for at kjøleskapet ditt er frakoblet når du vasker det.

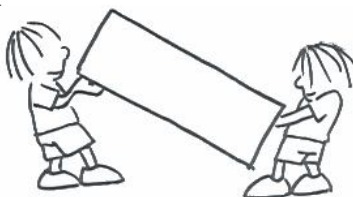
Å skifte ut LED-lys

Dersom kjøleskapet ditt har LED-belysning, vennligst kontakt kundeservice, ettersom lyset kun bør skiftes ut av berettigede fagfolk.

DEL 4. TRANSPORT OG FLYTTING

Transport og skifte av plassering

- Ta vare på originalkartongene og isoleringen hvis det er nødvendig.
- Under transport skal skapet festes med et bredt bånd eller solid tau. Reglene på pappesken må følges under transport.
- Før transport eller skifte av installasjonssted må alle bevegelige deler (for eksempel hyller og skuffer) tas ut eller festes for å hindre risting og derav følgende skader.



Omhengsling av dør (Gjelder visse modeller)

Kontakt serviceavdelingen hvis du trenger å hengsle om døren.

DEL 5. FEILSØKING

Alarmindikatorla mpen tennes	FEILTYPE	ÅRSAK	TILTAK
 	«Feil varsel»	Det er en/noen del(er) som er i ustand, eller det er en feil med kjølingsprosessen. Produktet kobles til strøm for første gang eller etter et strømbrydd på minst én time.	Sjekk om døren er åpen eller ikke, og sjekk om produktet virker i én time. Hvis døren ikke er åpen og produktet har virket i én time, kontakt Sharp kundestøtte så snart som mulig.

Hvis kjøleskapet ikke fungerer som det skal, kan det være et mindre problem. Derfor må du sjekke det følgende før du ringer etter en tekniker, for å spare både tid og penger.

Om kjøleskapet ditt ikke virker:

Sjekk om:

- Det ikke tilføres strøm.
- Strømmen i hjemmet ditt er tilkoblet.
- Det er feil på stikkkontakten. Dette sjekker du ved å koble et annet apparat til den samme stikkkontakten.

Om kjøleskapet ditt fungerer dårlig:

Sjekk at:

- Apparatet ikke er overbelastet
- Kjøleskapstemperaturen er satt til 2
- Døren er helt lukket
- Det ikke er støv på kondensatoren
- Det er nok plass bak og på sidene

Dersom kjøleskapet lager for mye lyd:

Normale lyder

Knuselyd (isknusing):

- Under automatisk avriming
- Når apparatet avkjøles eller varmes (grunnet utviding av apparatets materiale)

Kort knusing: Høres når termostaten slår kompressoren av/på.

Kompressorlyd: normal motorstøy. Denne lyden betyr at kompressoren opererer normalt. Kompressoren kan lage mer støy en liten stund når den er aktivert.

Boblelyder og plask: Denne støyen kommer fra flyten av kjølemiddelet i rørene i systemet.

Lyd av rennende vann: Normal lyd av rennende vann som flyter i fordampningsbeholderen under avriming. Denne lyden kan høres under avriming.

Lyd av luftblåsing: normal viftestøy Denne lyden kan høres i kjøleskap under normal drift på grunn av luftsirkulasjonen.

- Dersom kantene til kjølekabinettet der døren treffer er varme:
- Spesielt om sommeren (varmt vær), kan overflatene bli varmere under kompressordriften, dette er normalt.

Dersom fuktighet bygges opp inne i kjøleskapet:

- Er alle matvarer pakket riktig? Er beholderne tørre før de settes i kjøleskapet?
- Åpnes kjøleskapsdørene ofte? Fuktighet fra rommet kommer inn i kjøleskapet når døren åpnes. Fuktigheten vil bygge seg opp raskere når du åpner døren oftere, spesielt dersom luftfuktigheten i rommet er høy.

Dersom døren ikke åpnes og lukkes skikkelig:

- Hindrer matvarene at du får lukket døren?
- Er dørdelene, hyllene og skuffene plassert riktig?
- Er hengslene på døren ødelagt eller revnet?
- Står kjøleskapet i vater?

Anbefalinger

- Trekk støpselet ut av stikkontakten for å slå kjøleskapet helt av (ved rengjøring og når døren blir stående åpen).

TIPS FOR Å SPARE ENERGI

1- Installer apparatet i et kjølig, godt ventilert rom, men ikke i direkte sollys, og ikke rett ved en varmekilde (radiator, stekeovnsplate). Om ikke må du bruke en isolasjonsplate.

2- La varm mat og drikke kjøles ned på utsiden av apparatet.

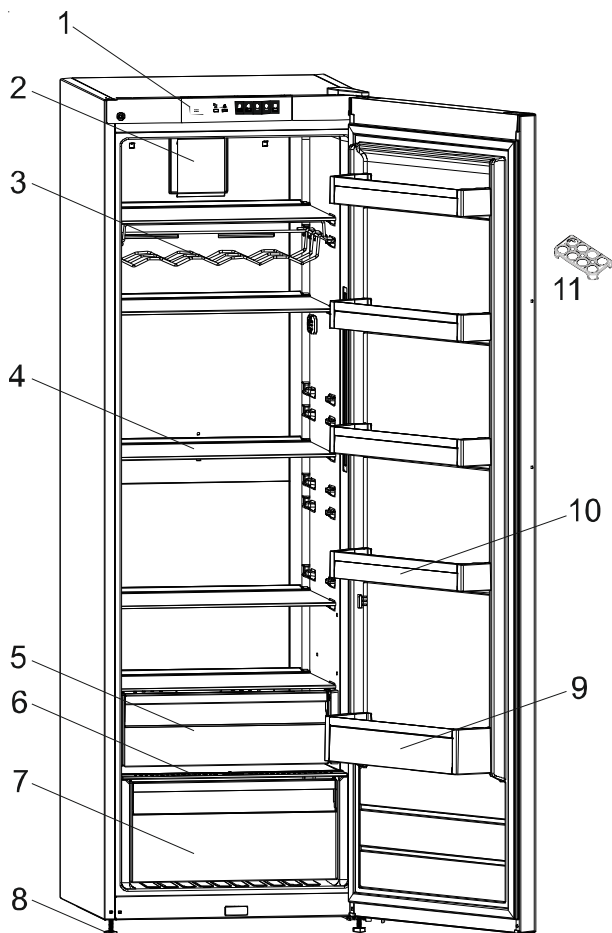
3- Mat og drikke må dekket til når de settes inn. Ellers vil det bli økt fuktighet i apparatet. Derfor blir arbeidstiden lenger. Tildekking av mat og drikke hjelper også med å bevare smak og lukt.

4- Når mat og drikke plasseres i apparatet, hold døren åpen så kort tid som mulig.

5- Hold løkkene igjen på alle kammer ene i apparatet (grønnsakskammer, kjølekonserver).

6 - Dørpakningen må være ren og smidig. Skift ut pakninger som er slitte.

DEL 5. SKAPETS DELER



Denne illustrasjonen er bare ment som informasjon om skapets deler.
Delene kan variere avhengig av modell.

- 1) KONTROLLPANEL
- 2) TURBOVIFTE (MODELLER MED GLASSHYLLE)
- 3) VINHYLLE
- 4) GLASSHYLLER (EKSTRAUTSTYR MED GITTERHYLLER)
- 5) ØVRE GRØNNSAKSKUFF (EKSTRAUTSTYR)
- 6) BESKYTTELSE FOR NEDRE GRØNNSAKSKUFF (SIKKERHETSGLASS*) (EKSTRAUTSTYR)

- 7) NEDRE GRØNNSAKSKUFF
- 8) REGULERBARE FØTTER
- 9) FLASKEHOLDER
- 10) DØRHYLLER
- 11) EGGHOLDER

Sisältö

ENNEN LAITTEEN KÄYTTÖÖNOTTOA	46
Yleiset varoitukset	46
Turvallisuusohjeet	48
Suosituksia	49
Laitteen asennus ja kytkeminen päälle	50
Ennen kuin kytket laitteen päälle	51
JÄÄKAAPIN KÄYTTÖ	52
Ohjauspaneeli	52
Lämpötila-asetuksiin liittyvät varoitukset	53
Lisävarusteet	54
RUOAN SÄILYTYSOPAS	54
PUHDISTUS JA KUNNOSSAPITO	55
OVEN KÄTISYYDEN VAIHTO JA LAITTEEN KULJETUS	56
Oven kätisyyden vaihto	56
OVEN KÄTISYYDEN VAIHTO JA LAITTEEN KULJETUS	56
ENERGIANSÄÄSTÖVINKKEJÄ	58
LAITTEEN OSAT JA OSASTOT	59

Yleiset varoitukset

VAROITUS: Pidä ilmanvaihtoaukot jotka ovat jatkeena, tai sisäänrakennettuna, esteettöminä.

VAROITUS: Älä käytä mekaanisia laitteita tai muita keinoja nopeuttamaan sulattamista, käytä ainoastaan ne jotka ovat valmistajan suosittamia.

VAROITUS: Älä käytä sähkölaitteita elintarvikkeiden varastointilaitteessa, jolleivät ne ole valmistajan suosittamia tyyppisiä.

VAROITUS: Älä vahingoita kylmäaineen virtapiiriä.

VAROITUS: Vältäaksesi vaara laitteen epävakaudesta johtuen, laitteen pitää kiinnittää ohjeiden mukaisesti.

VAROITUS: Varmista laitteen sijoituksen aikana, että virtajohto ei jää kiinni ja että se ei ole vaurioitunut.

VAROITUS: Älä sijoita jatkopistorasioita tai siirrettäviä virtalähteitä laitteen taakse.



Symboli ISO 7010 W021

Varoitus: Tulipalon / syttyvien materiaalien vaara

- Mallissa, jossa on R600a:ta (jäähdytysneste isobutaani): tämä on ympäristöystävällistä luonnonkaasua, mutta myös tulenarkaa. Kun laitetta kuljetetaan ja asennetaan, on huolehdittava siitä, ettei mikään jäähdytyslaitteen osa vaurioidu. Mikäli vaurio on tapahtunut, vältä avotulta ja kipinöiviä lähteitä ja tuuleta huone, johon laite on sijoitettu, muutaman minuutin ajan.
- Älä säilytä räjähtäviä aineita kuten aerosolitölkit syttyvien ponneaineiden kanssa tässä laitteessa.
- Tämä laite on tarkoitettu kotitalouskäyttöön ja vastaaviin, kuten;
 - henkilökuntien keittiöissä kaupoissa, toimistoissa ja muissa työympäristöissä

- maatalan taloissa ja hotelli- ja motelliasukkaita varten ja muissa asuinympäristöissä
- muissa majoitusympäristöissä;
- catering- ja niiden kaltaisten muiden kuin vähittäiskaupan ympäristöissä
- Jos jääkaapin pistoke ei sovi pistorasiaan, valmistaja , huoltoliike tai vastaava pätevä henkilö pitää korvata sitä, vaaran välttämiseksi.
- Tätä laitetta ei ole tarkoitettu sellaisten henkilöiden (mukaan lukien lapset), joiden fyysinen tai henkinen toimintakyky on rajoittunut tai joilla ei ole kokemusta ja tietoa, ellei niitä valvo tai opastetaan laitteen käytössä. Henkilö joka on vastuussa heidän turvallisuudestaan tulee tehdä sen. Lapsia tulee valvoa, jotta he eivät leiki laitteella.
- Maadoitettu pistoke on liitetty jääkaapin virtajohtoon. Tämä pistoke tulee käyttää maadoitettuun 16 ampeerin pistorasian kanssa. Jos sinulla ei ole tällaista pistorasiaa talossasi, pyydä että valtuutettu sähköasentaja asentaa sellaisen.
- Lapset jotka ovat vähintään 8 vuotta voivat käyttää laitetta ja henkilöt, joiden fyysiset, sensoriset tai henkiset kyvyt ovat puutteellisia tai ne joilta puuttuu kokemusta ja tietoa, mikäli niille on annettu ohjeita ja neuvoja käyttää laitetta turvallisesti ja että he varmasti ymmärtävät vaarat jotka voivat liittyä laitteen käyttöön. Lapset eivät saa leikkiä laitteella. Lapset eivät saa puhdistaa ja ylläpitää laitetta ilman valvontaa.
- Jos virtajohto on vaurioitunut, valmistaja , huoltoliike tai vastaava pätevä henkilö pitää korvata sitä, vaaran välttämiseksi.
- Tätä laitetta ei ole suunniteltu käytettäväksi yli 2000 m korkeudessa.

Turvallisuusohjeet

- Laitteessa käytetään jäähdytysnesteenä luonnonkaasua nimeltä isobutaani, tyyppimerkiltään R600a (katso arvokilvestä), joka on hyvin ympäristöystävällistä, mutta myös tulenarkaa. Laitetta kuljetettaessa ja asennettaessa on varmistettava, että jäähdytysjärjestelmän osat eivät pääse vioittumaan. Jos jäähdytysjärjestelmä vioittuu sen läheisyydessä on vältettävä avotulta ja kipinöintiä ja huone on tuuletettava kunnolla.
- Älä käytä mekaanisia laitteita tai työvälineitä tai muita epäasiallisia keinoja sulattamisen nopeuttamiseen.
- Älä käytä sähkölaitteita jääviileäkaapin sisällä.
- Jos korvaat tällä laitteella vanhan, oven lukituksella varustetun jääkaapin, sinun on ennen sen varastoon siirtämistä poistettava tai rikottava lukitusmekanismi. Tällä tavalla varmistat, että lapset eivät vahingossa lukitse itseään laitteen sisään.
- Vanhoissa jääkaapeissa ja pakastimissa on eristeitä ja jäähdytysnestettä, jotka on hävitettävä asianmukaisesti. Vanha laite on toimitettava kierrätyspisteeseen. Kysy tarvittaessa neuvoa kuntasi jätehuollosta tai jälleenmyyjältäsi. Varmista että vanhan laitteen putkisto ei pääse vioittumaan kuljetuksen aikana.

TÄRKEÄÄ: Lue tämä käyttöohje huolellisesti ennen kuin alat asentaa laitetta tai kytkeä sen päälle. Valmistaja ei vastaa niistä mahdollisista vahingoista, jotka aiheutuvat laitteen epäasiallisesta, tässä käyttöohjeessa esitetystä poikkeavasta asennuksesta tai käytöstä.



Tämän laitteen merkintä perustuu käytettyjä sähkö- ja elektroniikkalaitteita (waste electrical and electronic equipment - WEEE) koskevaan direktiiviin 2002/96/EG.

Tämä direktiivi määrittää käytettyjen laitteiden palautus- ja kierrätys-säännökset koko EU:n alueella.

Suosituksia

- Älä käytä useita pistorasioita tai jatkojohtoa.
- Älä kytke vaurioituneita, repeytyneitä tai vanhoja pistorakkeita.
- Älä vedä, taivuta tai vahingoita johtoa.



- Älä anna lasten leikkiä laitteella. Lapset eivät saa koskaan istua laatikkojen/hyllyjen päällä eikä riippua ovesta.



- Älä kytke verkkojohtoa, jos kätesi ovat kosteat.



- Pullot, jotka sisältävät alkoholia, täytyy sulkea hyvin ja ne on laitettava jääkaappiin pystyasentoon.

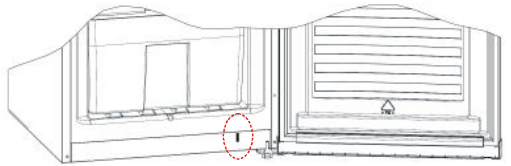


- Jos verkkojohto on vaurioitunut, sen saa vaihtaa valmistaja tai valtuutettu huoltoliike tai henkilö.



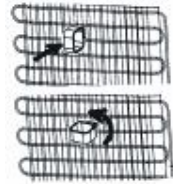
- Älä käytä pistokesovitinta.

- Kun jääkaapin ovi suljetaan, syntyy alipainetta. Odota noin 1 minuutti ennen oven avaamista uudelleen. Tähän yhdistelmään on mahdollista valita ovi, joka avautuu helposti. Tällä yhdistelmällä hieman kosteutta saattaa esiintyä, jota täytyy pyyhkiä pois.



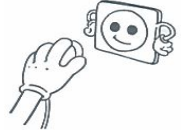
Laitteen asennus ja kytkeminen päälle

- Tämän laitteen käyttöjännite on 220-240V ja 50 Hz.
- Kysy tarvittaessa jälleenmyyjältäsi tai valtuutetusta huoltoliikkeestä neuvoa laitteen asennukseen ja päälle kytkemiseen.
- Ennen kuin kytket laitteen pistokkeen pistorasiaan sinun on varmistettava, että pistorasian jännite vastaa laitteen arvokilvessä ilmoitettua jännitettä.
- Työnnä pistoke maadoitettuun pistorasiaan. Mikäli käytettävissä oleva pistorasia ei ole maadoitettu tai pistoketta ei sen rakennetta muuttamatta voi työntää pistorasiaan, sinun kannattaa ottaa yhteyttä valtuutettuun sähköasennusliikkeeseen.
- Pistokkeeseen tulisi päästä käsiksi myös laitteen ollessa sijoitettuna paikalleen.
- Laitteen valmistaja ei ole vastuussa, mikäli maadoituksessa ei ole noudatettu tässä käyttöohjeessa annettuja ohjeita.
- Älä sijoita laitetta suoraan auringonpaisteeseen.
- Älä sijoita laitetta ulos äläkä altista sitä sateelle.
- Sijoita jääviileäkaappi riittävän kauas lämmönlähteistä hyvin tuulettuvaan paikkaan. Kaapin on oltava vähintään 50 cm etäisyydellä sellaisista lämmönlähteistä kuin lämmitin ja kaasutai puuhella ja vähintään 5 cm etäisyydellä sähköhellasta.
- Laitteen yläpuolella on oltava vähintään 15 cm tyhjää tilaa.
- Älä sijoita laitteen päälle paljon tai raskaita esineitä.
- Jos laite sijoitetaan toisen jääkaapin tai pakastimen viereen tulee niiden välissä olla vähintään 2 cm tyhjää tilaa kosteuden tiivistymisen välttämiseksi.
- Älä laita laitteen päälle kuumia astioita, sillä ne voivat vaurioittaa laitteen yläkantta.
- Kiinnitä muoviset seinävalikkeet laitteen takaosaan viereisen kuvan osoittamalla tavalla: ne estävät laitteen nojaamisen seinään ja varmistavat kunnollisen toiminnan.
- Laitteen on seistävä suorassa vakaalla alustalla. Käytä tarvittaessa edessä olevia säätöjalkoja alustan epätasaisuuden kompensointiin.
- Laitteen ulkopinnat ja sisäosat puhdistetaan miedolla pesuaineliuoksella ja sisäpinnat kädenlämpöisellä vedellä, johon on liuotettu leivinjauhetta. Lopuksi kuivaa ja aseta sisäosat takaisin paikalleen.
- Konetta ei ole suunniteltu henkilöille (mukaan lukien lapset), joilla on alentunut fyysinen, sensorinen tai henkinen toimintakyky tai joilla ei ole riittävää kokemusta ja osaamista, eikä heidän näin ollen tulisi käyttää laitetta, mikäli heidän turvallisuudestaan vastuullinen henkilö ei heitä valvo tai anna riittävää opastusta. On pidettävä huolta siitä, että lapset eivät millään tavalla leiki laitteen kanssa.
- Mikäli verkkojohto on vioittunut se on välittömästi vaihdettava. Verkkojohdon saa vaihtaa vain valmistaja tai valmistajan valtuuttama huoltoliike.



Ennen kuin kytket laitteen päälle

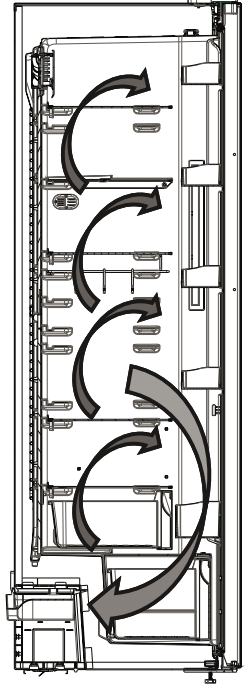
- Kunnollisen toiminnan varmistamiseksi laitteen on annettava seistä paikallaan 3 tuntia ennen kuin sen pistoke työnnetään pistorasiaan.
- Kytkettäessä laite päälle ensimmäisen kerran se voi hieman tuoksuua, mutta tuoksu häviää laitteen alettua jäähtyä.



Oplysninger om no-frost-teknologi

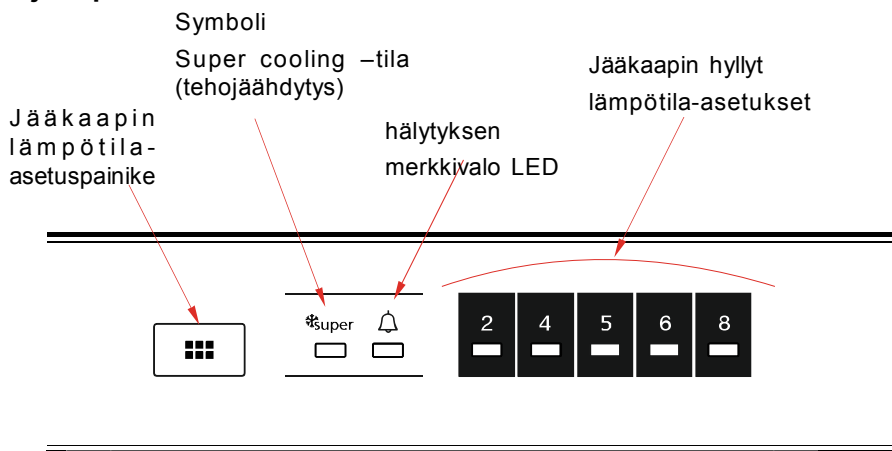
No-frost-køleskabe adskiller sig fra normale køleskabe med statiske kølesystemer.

I normale køleskabe er fugt i køleskabet, der fremkommer ved at døren åbnes, og at madvarer afgiver fugt, årsag til, at der dannes frost omkring luftkanalen bag i køleskabet. For at afrime frost og is i fryseren skal du med jævne mellemrum slukke køleskabet, lægge de madvarer, som skal holdes frosne, i en særskilt køleboks, og fjerne den is, der har samlet sig i fryseren. Det forholder sig helt anderledes med no-frost-køleskabe. Tør og kold luft blæses ensartet og jævnt ind i køle- og fryserummet fra flere steder af ved hjælp af en blæser. Kold luft spredes ensartet og jævnt mellem hylderne og køler alle dine madvarer lige meget, hvilket forhindrer fugt og frysning. Dit no-frost-køleskab giver dig dermed en øget brugervenlighed, ud over dets enorme kapacitet og stilfulde udseende.



OSA 3. JÄÄKAAPIN KÄYTTÖ

Ohjauspaneeli



Jääkaappi-osaston lämpötila-asetuspainike

Tämän painikkeen avulla voit asettaa jääkaapin lämpötilan. Antaaksesi lämpötila-arvoja jääkaappi-osastolle, paina tätä painiketta. Käytä tätä painiketta asettaaksesi Super cooling -tilan (tehojäähdytys).

Hälytyksen merkkivalo

Jos jääkaappi vikaantuu, hälytyksen merkkivalo syttyy palamaan punaisena.

Super cooling -tila (tehojäähdytys)

Milloin käytän toimintoa?

- Jäähdyttämään suuria määriä elintarvikkeita.
- Jäähdyttämään pikaruokaa.
- Jäähdyttämään ruokia nopeasti.
- Varastoimaan sesonkiruokaa pitkäksi aikaa.

Miten käytän toimintoa?

- Paina lämpötila-asetuspainiketta kunnes tehojäähdytyksen merkkivalo syttyy.
- Tehojäähdytyksen merkkivalo palaa toiminnon ollessa asetettu päälle.
- Optimaalista suorituskykyä varten maksimijäähdytysteholla, aseta laite aktiiviseen tehojäähdytystilaan 6 tuntia ennen kuin laitot tuoreruokaa jääkaappiin.

Toiminnon aikana:

Jos painat lämpötila-asetuspainiketta, tila peruutetaan ja asetus palautetaan 2.

Huom: "Tehojäähdytys" tila peruutetaan automaattisesti 6 tunnin kuluttua tai jos viilennysanturin lämpötila laskee alle 2°C.

Pakastimen lämpötila-asetukset

- Asetusnäytön alkulämpötila on 5°C.
- Paina aseta pakastus -painiketta kerran.

- Joka kerta kun painat painiketta, asetustilämpötila kasvaa. (2°C, 4°C, 5°C, 6°C, 8°C, tehoviilennys)
- Jos painat pakastimen asetuspainiketta kunnes tehopakastuksen symboli näkyy pakastimen
- Asetusnäytössä etkä paina mitään painiketta seuraavan 3 sekunnin aikana, tehoviilennys valo vilkkuu.

Jos jatkat painamista, se jatkaa viimeksi asetetusta arvosta.

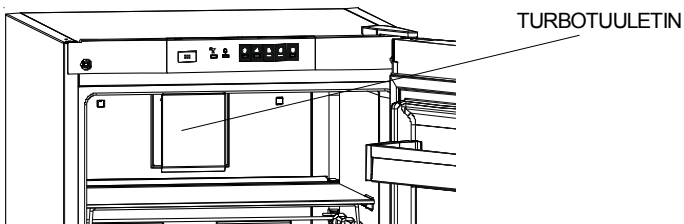
Lämpötila-asetuksiin liittyvät varoitukset

- Ympäröivä lämpötila, juuri jääkaappiin laitetun ruoan lämpötila sekä oven avaamistiheys vaikuttavat jääkaappilokeron lämpötilaan. Vaihda lämpötila-asetus tarvittaessa.
- Termostaatin lämpötila tulee asettaa ottaen huomioon kuinka usein jääkaapin ovea avataan ja suljetaan ja kuinka paljon ruokaa jääkaapissa säilytetään. Huomioon otettava seikka on myös laitteen käyttöympäristö sekä laitteen sijainti kyseisessä tilassa.
- Suosittelemme, että jääkaappi jätetään käymään keskeytyksettä 24 tunnin ajaksi ennen ensimmäistä käyttöä. Tämä takaa, että laite jäähtyy riittävän hyvin. Älä avaa ovea tai laita ruokaa jääkaappiin tänä aikana.
- Jääkaapissa on 5 minuutin mittainen viivetoiminto, joka on suunniteltu estämään kompressorivauriot. Kun jääkaappiin kytketään virta, se alkaa käydä normaalisti 5 minuutin kuluttua.
- Jääkaappisi on suunniteltu toimimaan standardeissa mainituissa huonelämpötiloissa sekä arvokilvessä mainitun ilmastoluokan mukaisesti. Jääkaapin käyttämisestä ei suositella tiloissa, joiden lämpötilat eivät vastaa annettuja vaihteluvälejä, sillä tämä vaikuttaa jäähdytystehokkuuteen.
- Tämä laite on suunniteltu käytettäväksi 10 - 43 °C:een ympäröivässä lämpötilassa.

Ilmastoluokka	Käyttölämpötila (°C)
T	16-43
ST	16-38
N	16-32
SN	10-32

Jos turbo-tuuletinta voidaan käyttää tuotteessasi; Jos turbo-tuuletinta voidaan käyttää tuotteessasi;

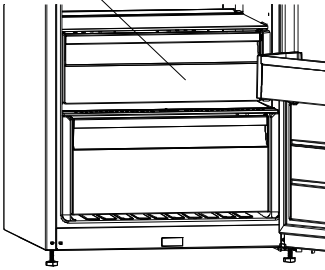
- Älä tuki ilman imu- ja poistoaukkoja säilöessäsi ruokia, koska tämä heikentää turbo-tuulettimen luomaa ilmankiertoa.



Lisävarusteet

Jäähdytysosaston hyllyt (Joissakin malleissa)

Kun elintarvikkeet säilytetään jäähdytysosastossa pakastin- tai jääkaappiosaston sijasta, ne pysyvät tuoreina ja maukkaina, ja ne säilyttävät ulkonäkönsä pidempään. Jos jäähdytysosaston levy likaantuu, irrota se ja pese se vedellä.



(Vesi jäätyy 0 °C:ssa, mutta suolaa tai sokeria sisältävät ruuat jäätyvät tätä matalammissa lämpötiloissa)

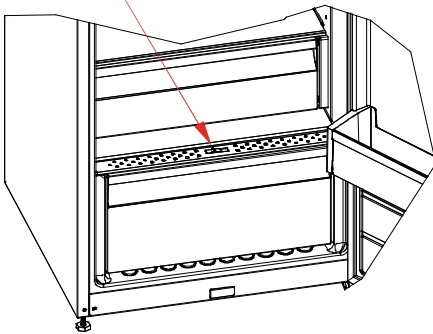
Tavallisesti jäähdytysosastoa käytetään ra'an kalan, riisin ym. säilytykseen.

..Älä aseta jääpalalevylle elintarvikkeita, jotka haluat jäädyttää.

Jäähdytyshyllyn poistaminen

- Vedä jäähdytyshylly ulos itseäsi kohti liu'uttamalla sitä kiskoillaan.
- Nosta jäähdytyshylly pois kiskoilta poistaaksesi hyllyn.

Vihanneslokeron ilmankierron säätäminen (Joissakin malleissa)



Kosteudenhallinta suljetussa asennossa auttaa tuoreita hedelmiä ja vihanneksia säilymään kauemmin.

Jos vihanneslokeron on täynnä, sen etuosassa sijaitseva Fresh dial pitää avata. Jos avaat sen, vihanneslaatikon lämpötila ja kosteus putoavat.

Jos näet kondenssivettä lasihyllyllä, voit asettaa kosteudenhallintamuovin avoimeen asentoon.

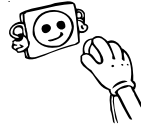
Lisävarusteiden visuaaliset ja tekstikuvaukset saattavat vaihdella mallista riippuen.

OSA 3. RUOAN SÄILYTYSOPAS

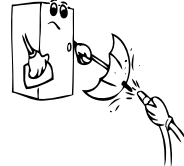
- Voit vähentää huurteenmuodostumista, kun et koskaan pane nesteitä tiivistämättömissä astioissa jääkaappiosastoon.
- Anna lämpimän tai kuuman ruoan jäähtyä ennen sen panemista jääkaappiin. Tämä auttaa vähentämään virrankulutusta.
- Jos haluat välttää huurteenmuodostumista, varmista, että mitään ei säilytetä kosketuksessa takaseinään.
- Jääkaapin kylmin alue on pohjalla. Suosittelemme käyttämään tätä aluetta helposti pilaantuvien ruokien säilyttämiseen, kuten kala, valmisateriat, leivonnaiset ja maitotuotteet. Lämpimin osa on oven ylähyllyllä. Suosittelemme säilyttämään täällä voin tai juuston.

OSA 4. PUHDISTUS JA KUNNOSSAPITO

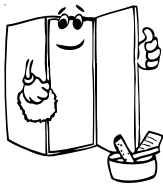
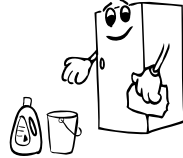
Irrota pistoke pistorasiasta ennen puhdistamista.



- Älä puhdista laitetta juoksevilla vedellä.



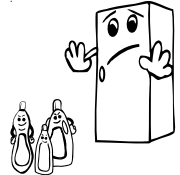
- Jääkaappiosa ja pakastinosa pitää puhdistaa säännöllisesti käyttäen soodan bikarbonaattiliuosta ja haaleaa vettä.



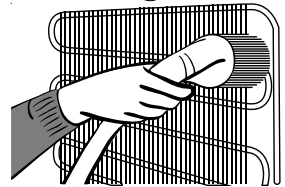
- Puhdista lisävarusteet erikseen saippualla ja vedellä. Älä puhdista niitä pesukoneessa.



- Älä käytä hankaavia tuotteita, pesujauhetta tai saippuaa. Pestyäsi laitteen huuhtele puhtaalla vedellä ja kuivaa huolellisesti. Kun puhdistus on suoritettu, kytke verkkojohdon pistoke kuivin käsin uudelleen pistorasiaan.



- Sinun pitää puhdistaa lauhtutin (laitteen takana) harjalla kerran vuodessa energian säästämistä ja tehon lisäämistä varten.



VERKKOJOHTO TÄYTYY IRROTTAA PISTORASIASTA PUHDISTUKSEN AJAKSI.

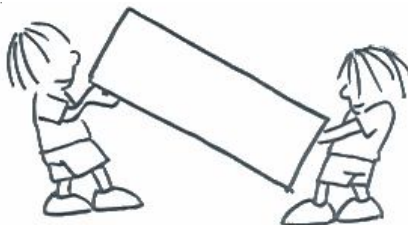
LED-valaisimen vaihtaminen

Jos jääkaapissasi on LED-valaisin ota yhteyttä asiakastukeen, valaisin tulee vaihtaa vain valtuutetun huoltohenkilöstön toimesta.

OSA 5. OVEN KÄTISYYDEN VAIHTO JA LAITTEEN KULJETUS

Kuljetus ja sijoituspaikan vaihto


- Käytä alkuperäistä pakkausmateriaalia, mikäli se on tallella.
- Kuljetuksen aikana laite on sidottava sidontahihnalla tai vahvalla köydellä. Alkuperäisessä aaltopahvipakkauksessa olevia, kuljetusta koskevia merkintöjä on noudatettava.
- Ennen laitteen kuljettamista tai siirtämistä toiseen paikkaan kaikki sen sisällä olevat irtosat (hyllyt, laatikot, jne.) on otettava ulos laitteesta tai sidottava paikalleen tärisevän estämiseksi.



Oven kätisyyden vaihto (Eräät mallit)

Jos haluat muuttaa oven kätisyyden (avautumissuunnan) niin ota yhteys paikalliseen jälleenmyyjäsi.

OSA 6. OVEN KÄTISYYDEN VAIHTO JA LAITTEEN KULJETUS

Hälytyksen ilmaisain - merkkivalo syttyy	VIAN TYYPPI	SYY	MITÄ TEHDÄ
	"Virhe ilmoitus"	Osa/osia on mennyt rikki tai jäähditys on vikaantunut. Tuote liitetään verkkovirtaan ensimmäistä kertaa tai pitkäkestoinen, tunnin pituinen sähkökatkos.	Tarkista onko ovi auki vai kiinni. Jos ovi ei ole auki, ota yhteyttä Sharpin tukipalveluun mahdollisimman pian. Tarkista onko ovi auki vai kiinni ja että tuote toimii tunnin ajan. Jos ovi ei ole auki ja tuote on toiminut tunnin ajan, ota yhteyttä Sharpin tukipalveluun mahdollisimman pian.

Jos jääkaappi-pakastin ei toimi oikein, kyse voi olla vain pienestä ongelmasta. Tämän vuoksi tarkista seuraavat asiat ennen kun soitat sähköasentajalle säästääksesi aikaa ja rahaa.

Mitä tehdä jos jääkaappi ei käynnisty:

Tarkista että:

- Laitteeseen ei tule virtaa,
- Kotisi yleisvirtakytkin on kytketty pois,
- Liitäntä ei ole riittävä. Tarkistaaksesi tämän, kokeile liittää toinen toimiva laite samaan pistorasiaan.

Mitä tehdä jos jääkaappi on liian tehoton:

Tarkista että:

- Et ole ylikuormittanut laitetta,
Jääkaapin lämpötila-asetuspainike on asetettu kohtaan 2.
Ovi on suljettu täysin,
Lauhdutin ei ole pölyn peitossa,
Laitteen takana ja sivuilla on riittävästi tyhjää tilaa.

Jos jääkaappi pitää liikaa ääntä:

Tavanomaiset äänet

Halkeileva (jään murtuminen) ääni:

- Automaattisen sulatuksen aikana.
- Kun laitetta jäähdytetään tai lämmitetään (johtuen kylmäaineen laajenemisesta).

Lyhyt halkeilu: Kuuluu, kun termostaatti kytkee kompressorin päälle/pois.

Kompressorin ääni: Tavanomainen moottoriääni. Tämä ääni tarkoittaa että kompressorin toimii normaalisti. Kompressorin voi aiheuttaa enemmän lyhytkestoista melua sen käynnistyessä.

Kupliva ja roiskuääni: Tämä ääni johtuu kylmäaineen virtauksesta järjestelmän putkistossa.

Virtaavan veden ääni: Normaali virtausmelu veden virratessa haihdutussäiliöön sulattamisen aikana. Tämän äänen voi kuulla sulatuksen aikana.

Kiertävän ilman ääni: Tuulettimen puhallusääni. No-Frost jääkaappi voi pitää tätä ääntä kierrättäessään ilmaa, järjestelmän toimiessa normaalisti.

Jos seinäkaapin reunat jotka ottavat kiinni jääkaapin oven saranoihin ovat lämpimiä:

Erityisesti kesällä (kuumalla ilmalla), saranoihin kiinni ottavat pinnat voivat lämmetä kompressorin käymisen aikana, tämä on täysin normaalia.

Jos jääkaappiin kerääntyy kosteutta:

- Onko kaikki elintarvikkeet pakattu huolellisesti? Ovatko astiat kuivuneet ennen niiden asettamista jääkaappiin?
- Onko jääkaapin ovia avattu usein? Huoneen ilmankosteus pääsee jääkaapin sisään kun ovia avataan. Kosteutta kerääntyy jääkaapin sisään nopeammin, erityisesti jos huoneen ilmankosteus on korkea.

Jos ovet eivät aukea tai mene kunnolla kiinni:

- Ovatko elintarvikkeet oven tiellä?
- Onko ovilokerot, hyllyt ja laatikot sijoitettu oikein?
- Ovatko oven tiivisteet rikkoontuneet tai repeytyneet?
- Onko jääkaappi asetettu tasaiselle alustalle?

Suosituksia

- Sammuttaaksesi laitteen täysin, irrota verkkojohto pistorasiasta (puhdistamista varten ja ovien auki pitämisen ajaksi)

ENERGIANSÄÄSTÖVINKKEJÄ

1– Asenna laite viileään, hyvin ilmastoituun huoneeseen kauas suorasta auringonvalosta ja muista lämmönlähteistä (lämpöpattereista, liesistä jne.) Muussa tapauksessa käytä eristelevyä.

2– Anna lämpimien ruokien ja juomien jäähtyä ennen kuin asetat ne jääkaappiin.

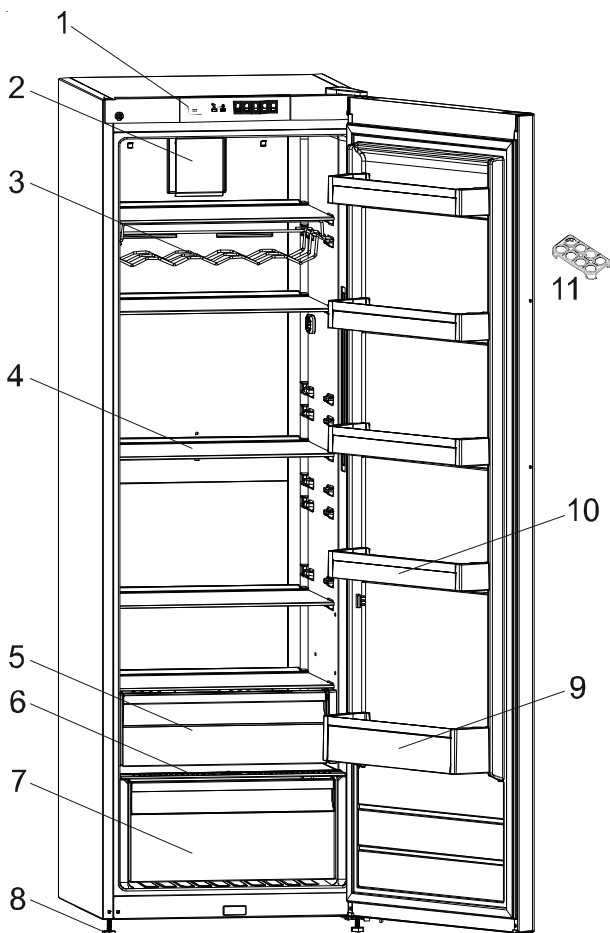
3– Asettaessasi juomia ja ruoantähteitä jääkaappiin, ne tulee peittää. Muuten laitteen sisällä oleva ilmankosteus kasvaa. Tämä johtaa siihen että laitteen täytyy työskennellä tehokkaammin saavuttaakseen alhaisen lämpötilan. Juomien ja ruoantähteiden peittäminen auttaa myös aromin ja maun säilyttämisessä.

4– Asettaessasi elintarvikkeita ja juomia jääkaappiin, pidä jääkaapin ovea auki niin vähän kuin mahdollista.

5– Pidä muiden osastojen kannet suljettuina (juureslokerot, viileäkaappi ...jne).

6– Oven tiivisteiden tulee olla puhtaat ja joustavat. Vaihda tiivisteet jos ne ovat kuluneita.

OSA 6. LAITTEEN OSAT JA OSASTOT



**Kuva on tarkoitettu laitteen osien esittelyyn.
Eri malleissa osat voivat olla jossakin määrin erilaisia.**

1) OHJAUSPANEELI

2) TURBOTUULETIN (LASIHYLLYMALLIT)

3) VIINIPULLOTELINE *

4) LASIHYLLYT (VAIHTOEHTO LANKAHYLLYLLE)

5) TYLEMPI VIHANNESLAATIKKO (LISÄVARUSTE)

6) ALEMMAN VIHANNESLAATIKON KANSI
(TURVALASI *)

7) ALEMPI VIHANNESLAATIKKO

8) SÄÄDETTÄVÄT JALAT

9) PULLOTELINE

10) PULLOTELINE

11) KANANMUNANPIDIKE

* Joissakin malleissa

Innehållsförteckning

INNAN DU ANVÄNDER DITT KYLSKÅP.....	61
Allmänna varningar	61
Kylskåp som är gamla eller i olag.....	63
Inställning och användning av ditt kylskåp	64
Innan du använder ditt kylskåp.....	64
Information om No-Frost teknologin	65
ANVÄNDARINFORMATION	66
Kontrollpanel	66
Temperaturinställningsknapp för kylskåpspartition	66
Larmlampa	66
Superkylningsläge	66
Kylskåpets temperaturinställningar	66
Varningar om temperaturinställningar.....	67
Tillbehör	68
Om turbofläkt finns tillgänglig på din produkt;	68
Kylhylla	68
Fräschhetsratt	68
PLACERA MATEN I KYLEN.....	69
Kylfack.....	69
RENGÖRING OCH UNDERHÅLL	70
Byte av LED-belysning	70
TRANSPORT OCH FLYTTNING	71
Omplacering av dörren	71
INNAN DU KALLAR SERVICE	72
Tips för att spara energi.....	74
DELARNA I KYLSKÅPET OCH FACKEN	75

INNAN DU ANVÄNDER DITT KYLSKÅP

Allmänna varningar

VARNING: Håll ventilationsöppningarna, i apparatens hölje eller i den inbyggda strukturen, fria från hinder.

VARNING: Använd inte mekaniska enheter eller andra sätt att påskynda avfrostningsprocessen, än de som rekommenderas av tillverkaren.

VARNING: Använd inte elektriska apparater inne i förvaring av livsmedel fack i apparaten, om de inte är av den typ som rekommenderas av tillverkaren.

VARNING: Skada inte kylkretsen.

VARNING: För att undvika fara på grund av ostabilitet i apparaten, måste den fastställas i enlighet med instruktionerna.

VARNING: När du positionerar apparaten ser du till att sladden inte är klämd eller skadad.

VARNING: Anslut inte flera bärbara uttag eller bärbara nätaggregat på baksidan av apparaten.



Symbol ISO 7010 W021

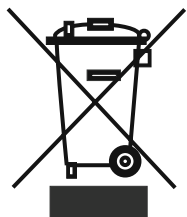
Warning: Brandfara/brandfarligt material

- Om din apparat använder R600a som köldmedium - du kan lära dig den här informationen från etiketten på kylaren- du bör vara försiktig vid transport och installation för att förhindra att apparatens kylningsdelar skadas. Även om R600a är en miljövänlig gas och naturgas. Eftersom den är explosiv, bör du, i händelse av ett läckage som kan ha uppstått på grund av en skada i kylningsdelarna, flytta ditt kylskåp utom räckhåll för öppen eld eller värmekällor och ventilera rummet där apparaten är placerad, några minuter.
- Under transport och positionering av kylskåpet, undvik skador på kylargaskretsen.
- Förvara inga explosiva ämnen såsom aerosolburkar med en brandfarlig drivgas i denna apparat.

- Denna apparat är avsedd för användning i hushåll och liknande applikationer såsom;
 - personalköksområden i butiker, kontor och andra arbetsplatser
 - bondgårdar och av kunder på hotell, motell och andra typer av bostäder
 - bed and breakfast bostäder;
 - catering och liknande icke-butiksapplikationer
- Om uttaget inte matchar kylskåpskontakten, måste den bytas ut av tillverkaren, dess serviceombud eller liknande kvalificerade personer för att undvika fara.
- Enheten ska inte användas av människor (inklusive barn) med nedsatt fysisk eller mentala förmågor eller brist på erfarenhet och kunskap, om de inte övervakas eller får instruktioner angående användningen av apparaten av en person som ansvarar för deras säkerhet. Barn bör övervakas så att de inte leker med enheten.
- En speciellt jordad kontakt har anslutits till ditt kylskåps strömkabel. Denna kontakt bör användas med ett speciellt jordat uttag på 10 ampere. Om det inte finns något sådant uttag i ditt hus, se till att det installeras av en behörig elektriker.
- Denna apparat kan användas av barn från 8 år och uppåt och personer med nedsatt fysisk eller mental förmåga eller brist på erfarenhet och kunskap, om de övervakas eller får instruktioner angående användning av apparaten på ett säkert sätt och förstår faran den innebär. Låt inte barn leka med enheten. Rengöring och användarunderhåll, får inte utföras av barn utan tillsyn.
- Om sladden är skadad måste den bytas av tillverkaren eller en servicetekniker eller en kvalificerad fackman, för att undvika all risk.
- Denna apparat är inte avsedd att användas på höjder över 2000 m.

Kylskåp som är gamla eller i olag

- Om ditt gamla kylskåp har ett lås, bryt eller ta bort låset innan du slänger det, eftersom barn bli instängda och det kan orsaka en olycka.
- Gamla kylar och frysar innehåller isoleringsmaterial och köldmedium med CFC. Se därför till att inte skada miljön när du kasserar ditt gamla kylskåp.



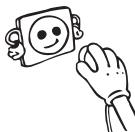
Fråga din kommun om omhändertagande av WEEE för återanvändning och återvinningsändamål.

Observera:

- Läs igenom bruksanvisningen noga innan du installerar och använder apparaten. Vi är inte ansvariga för de skador som uppstått på grund av felaktig användning.
- Följ alla instruktioner på apparaten och bruksanvisningen och förvara bruksanvisningen på en säker plats för att lösa de problem som kan uppstå i framtiden.
- Denna apparat är gjord för att kunna användas i hus och den kan bara användas i hus och för avsedda ändamål. Den är inte lämplig för kommersiellt eller gemensamt bruk. Sådan användning medför att garantin på apparaten ska annulleras och att vårt företag inte är ansvarigt för de förluster som har inträffat.
- Denna apparat är gjord för att kunna användas i hus och den kan bara användas i hus och för avsedda ändamål. Den är inte lämplig för kommersiellt eller gemensamt bruk och/eller för förvaring av ämnen förutom mat. Vårt företag är inte ansvarigt för de förluster som uppstått i motsatta fall.

Säkerhetsvarningar

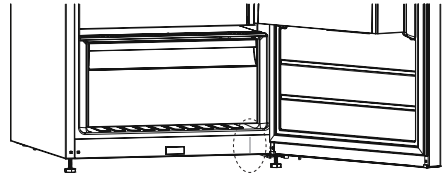
- Använd inte fler-uttag eller förlängningsladd.
- Anslut inte skadade, trasiga eller gamla pluggar.
- Dra inte i, böj inte och skada inte sladden.



- Denna apparat är avsedd att användas av vuxna, låt inte barn leka med apparaten eller hänga över dörren.
- Sätt inte in och dra inte ut kontakten ur uttaget med våta händer för att undvika elektrisk stöt!
- Placera inte explosivt eller brandfarligt material i ditt kylskåp för din säkerhet. Placera drycker med högre alkoholhalt vertikalt och stäng dem tätt i kylavdelningen.
- Täck inte kylskåpet eller dess övre del med spets. Detta påverkar ditt kylskåps prestanda.
- Fäst tillbehören i kylskåpet under transport för att undvika skador på tillbehören.
- Använd inte en adapter.



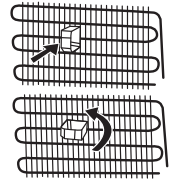
- Detta tillbehör är valfritt för enkel öppning av dörren. Med detta tillbehör kan en aning kondens uppstå omkring det här området och du kan ta ut det.



Inställning och användning av ditt kylskåp

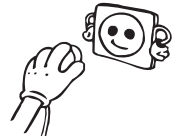
Innan du börjar använda ditt kylskåp, bör du uppmärksamma följande punkter:

- Driftspänningen för ditt kylskåp är av 220-240 V vid 50 Hz
- Vi tar inte ansvar för de skador som uppstår på grund av ojordad användning.
- Placera kylskåpet på en plats där det inte utsätts för direkt solljus.
- Apparaten bör vara minst 50 cm från spisar, gasugnar och värmekällor, och bör vara minst 5 cm från elektriska ugnar.
- Din frys bör aldrig användas utomhus eller lämnas under regn.
- När kylskåpet är placerat intill en frys bör det finnas minst 2 cm mellan dem för att förhindra att fukt bildas på utsidan.
- Placera ingenting på ditt kylskåp, och installera kylskåpet på en lämplig plats, så att minst 15 cm tom plats finns på ovasidan.
- Om du vill placera ditt kylskåp bredvid ditt kökskåp, lämna ett utrymme på 2 cm mellan dem.
- Passa in plastväggdistanser till kondensorn på baksidan av kylskåpet för att förhindra att den lutar mot väggen för bättre prestanda.
- Montera distanserna baktill, se bild, genom att vrida den i 90° för att förhindra att kondensorn vidrör väggen.
- Kylskåp bör placeras mot en vägg med ett fritt avstånd på högst 75 mm.
- De justerbara frambenen ska stabiliseras på en lämplig höjd så att kylskåpet står på ett stabilt och korrekt sätt. Du kan justera benen genom att vrida dem medurs (eller i motsatt riktning). Detta bör göras innan du placerar mat i kylskåpet.
- Innan du använder ditt kylskåp, torka av alla delar med varmt vatten som tillsätts med ett mildt rengöringsmedel, och skölj sedan med rent vatten och torka. Placera alla delar efter rengöring.



Innan du använder ditt kylskåp

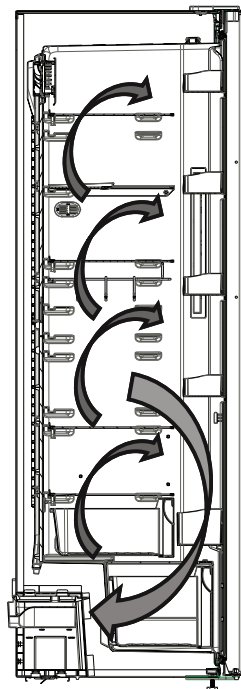
- När det används för första gången eller efter transport, ställ ditt kylskåp i upprätt läge i 3 timmar och koppla in det för att möjliggöra effektiv drift. Annars kan du skada kompressorn.
- Ditt kylskåp kan lukta när det används för första gången; lukten kommer att blekna bort när kylskåpet börjar kyla.



Information om No-Frost teknologin

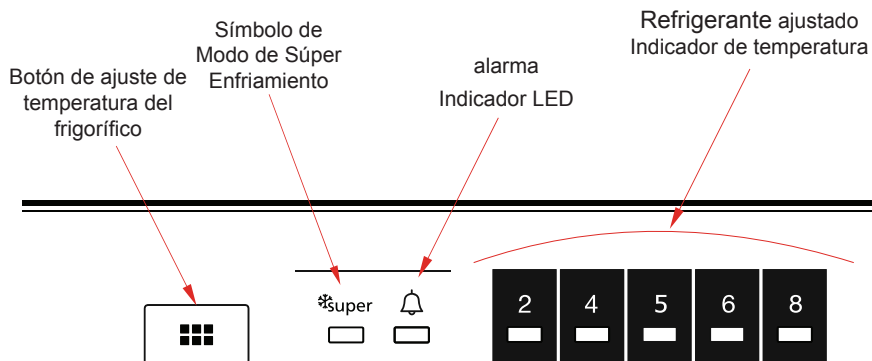
No-frost kylskåp skiljer sig från andra statiska kylskåp i sin verksamhetsprincip.

I normala kylskåp kommer luftfuktigheten in i kylskåpet på grund av dörröppningar och att den inneboende fuktigheten i maten orsakar frysning i på baksidan av luftkanalen. För att tina frost och is i frysen på baksidan av luftkanalen bör du med jämna mellanrum stänga av kylskåpet och placera mat som måste förvaras kyld separat kyld. Situationen är helt annorlunda i no-frost kylskåp. Torr och kall luft blåses in i kylskåpets utrymme, homogent och jämnt, från flera punkter via en fläkt. Kall luft sprids homogent och jämnt mellan hyllorna och kyler all din mat lika och jämnt, vilket förhindrar fukt och frysning. Därför är ditt no-frost kylskåp användarvänligt, i tillägg till sin enorma kapacitet och sitt eleganta utseende.



ANVÄNDARINFORMATION

Kontrollpanel



Temperaturinställningsknapp för kylskåpspartition

Denna knapp gör det möjligt att ställa in temperaturen i kylskåpet. För att ställa in värden för kylskåpspartition, tryck på denna knappen. Använd också denna knapp för att aktivera superkylningsläge.

Larmlampa

I händelse av ett problem med kylskåpet kommer LED-larmet att lysa rött

Superkylningsläge

Hur används det ?

- För att kyla stora mängder mat.
- För att kyla snabbmat.
- För att kyla mat snabbt.
- För att lagra säsongsbetonad mat under lång tid.

Hur ska det användas?

- Tryck temperaturinställningsknappen tills superkylningslampan tänds.
- I detta läge kommer superkylnings-LED att lysa.
- För optimal apparat-prestanda med maximal kylkapacitet, ställ in apparaten till aktivt superkylnings-läge 6 timmar innan du sätter in färsk mat i kylskåpet.

I detta läge:

Om du trycker på temperaturinställningsknappen kommer läget att avbrytas och inställningen kommer att återställas från 2.

Observera: Superkylningsläget blir automatiskt avstängt efter 6 timmar eller när kylgivar-temperaturen sjunker under 2 °C.

Kylskåpets temperaturinställningar

- Den initiala temperaturen hos inställningsskärmen är 5°C.
- Tryck kylskåpsinställningsknappen en gång.

- Varje gång du trycker på knappen kommer inställningstemperaturen öka. (2°C, 4°C, 5°C, 6°C, 8°C, superkylning)
- Om du trycker kylskåpsinställningsknappen tills superkylningssymbolen visas på ditt kylskåps

Inställningsskärm och du inte trycker på någon knapp under 3 sekunder, Kommer superkylning att blinka.

- Om du fortsätter trycka kommer den starta om från senaste värdet.

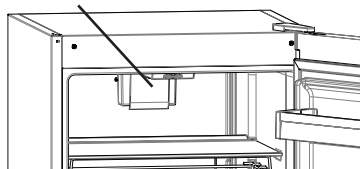
Varningar om temperaturinställningar

- Dina temperaturinställningar är fortfarande giltiga efter strömavbrott.
- Du bör inte gå över till en annan justering innan du slutför en inställning.
- Temperaturinställningar bör göras genom att ta hänsyn till hur ofta kyldörren öppnas och stängs, hur mycket mat som lagras i den och den miljö i vilken kylen finns.
- Beroende på omgivningstemperaturen måste kylskåpet fungera nonstop upp till 24 timmar för att svalna helt efter det att det har anslutits för första gången. Öppna inte kylskåpsdörrarna ofta och placera inte mycket mat i kylskåpet under denna period.
- För att förhindra skador på kompressorn i ditt kylskåp när du vill starta om kylskåpet efter att ha dragit ur kontakten eller efter att ett strömavbrott har återställts finns det en funktion som gör att kylskåpet fungerar efter 5 minuters fördröjning. Ditt kylskåp börjar fungera normalt igen efter 5 minuter.
- Kylen är konstruerad att fungera i omgivningstemperaturintervallerna som anges i standarderna, i enlighet med den klimatklass som anges i informationsetiketten. Kylfunktionen i miljöer med temperaturvärden som inte överensstämmer med de angivna värdena rekommenderas inte för kylningseffektivitet.
- Din apparat är konstruerad för att arbeta vid omgivande temperaturer mellan 10° C - 43 ° C.

Klimatklass	Omgivningstemperatur (°C)
T	Mellan 16 och 43 (°C)
ST	Mellan 16 och 38 (°C)
N	Mellan 16 och 32 (°C)
SN	Mellan 10 och 32 (°C)

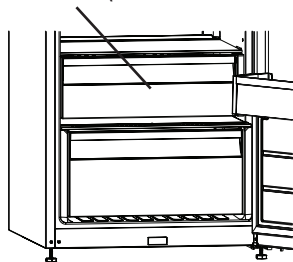
Tillbehör

Om turbofläkt finns tillgänglig på din produkt;



Blockera inte öppningarna för insug och utblås av luft när du förvarar mat eftersom detta påverkar den luftcirkulation som turbofläkten tillhandahåller.

Kylhylla (På vissa modeller)



Att förvara mat i kylningsutrymmet istället för frysen eller kylskåpet låter maten behålla färskhet och smak längre, samtidigt som man bevarar dess fräscha utseende. Om kylningsbrickan blir smutsig, ta bort den och tvätta med vatten.

(Vatten fryser vid 0 °C, men livsmedel som innehåller salt eller socker kräver sänkta temperaturer för att frysa).

Normalt använder människor kylningsutrymmet för rå fisk, ris, etc...

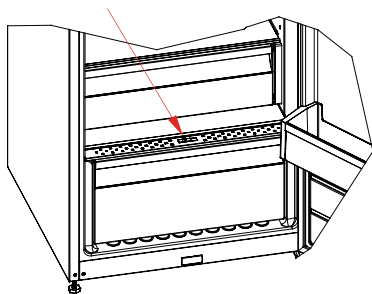
Placera inte mat du vill frysa eller islådor för att göra is här.

Att ta bort grönsaksutrymmeshyllan

- Dra grönsaksutrymmeshyllan ut mot dig genom att skjuta den på spåren.
- Dra upp grönsaksutrymmeshyllan från spåret för att ta bort den.

Efter att grönsaksutrymmeshyllan har tagits bort stöder den maximalt 20 kg belastning.

Fräschhetsratt (På vissa modeller)



Fuktregulatorn i stängt läge gör att färsk frukt och grönsaker kan förvaras längre.

Om grönsaksförvaringsutrymmet är helt fullt bör fräschhetsratten på framsidan av grönsaksförvaringsutrymmet öppnas. När du öppnar det, kommer temperatur och luftfuktighet i grönsaksförvaringsutrymmet att sjunka.

Om du ser någon kondens på glashyllan, kan du ställa in fuktregleringsplasten i öppet läge.

PLACERA MATEN I KYLEN

Kylfack

- För normala driftsförhållanden, kommer att justera temperaturen i kyldelen av kylan till 4°C att vara tillräckligt
- För att undvika fukt och frost bör du undvika att ställa in vätskor i otäckta behållare i kylskåpet. Frost tenderar att koncentrera sig på de kallaste delarna av förångaren och med tiden kommer det att kräva mer frekvent avfrostning.
- Ställ aldrig in varm mat i kylskåpet. Varm mat måste kylas i rumstemperatur och ska placeras så att luft kan cirkulera i kylskåpsdelen.
- Inget bör vidröra lampan och höljet, eftersom det kan bildas frost och förpackningar kan fastna på bakre väggen. Öppna inte kylskåpsdörren för ofta.
- Lägg in kött och rensad fisk (inslagen i plast) som du kommer att använda inom 1-2 dagar, i den nedre delen av kylskåpet (som ligger över grönsakslådan) eftersom det är den kallaste delen och kommer att säkerställa de bästa lagringsförhållandena.
- Du kan lägga in fukt och grönsaker i grönsakslådan utan ytterligare förpackning.

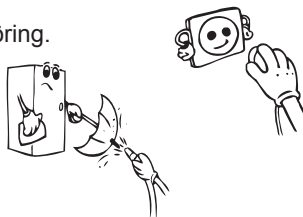
Vissa rekommendationer har angetts nedan för placering och förvaring av ditt mat i kylutrymmet.

Mat	Förvaringstid	Var bör man placera i kylskåpsavdelningen
Grönsaker och frukt	1 vecka	I grönsakslådan (utan förpackning)
Kött och fisk	2 till 3 dagar	Täckt med plast folio eller i påsar eller i en köttlåda (på glashyllan)
Färsk ost	3 till 4 dagar	I den speciala dörrhyllan
Smör och margarin	1 vecka	I den speciala dörrhyllan
Flaskprodukter, mjölk och yoghurt	Fram till det utgångsdatum som rekommenderas av tillverkaren	I den speciala dörrhyllan
Ägg	1 månad	I ägghyllan
Lagad mat		Alla kylhyllor

OBSERVERA: Potatis, lök och vitlök bör inte förvaras i kylskåpet.

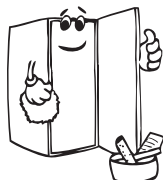
RENGÖRING OCH UNDERHÅLL

- Koppla ur enheten från strömkällan före rengöring.



- Placera inte enheten i rinnande vatten.

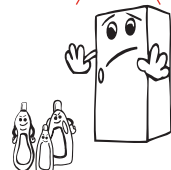
- Kylskåpet bör rengöras med jämna mellanrum med ett mildt rengöringsmedel.



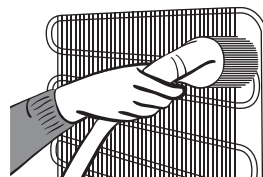
- Rengör tillbehören separat med ett mildt rengöringsmedel. Rengör dem inte i diskmaskinen.



- Använd inte produkter med slipmedel, frätande medel eller tvålar. Efter rengöringen sköljer du noggrant med rent vatten. När du utför rengöringen återansluter du kontakten med torra händer.



- Du bör rengöra kondensorn (bakre delen av apparaten) med en borste minst en gång om året för att få en effektiv energibesparing och ökad produktivitet.



STRÖMKÄLLAN MÅSTE KOPPLAS UR.

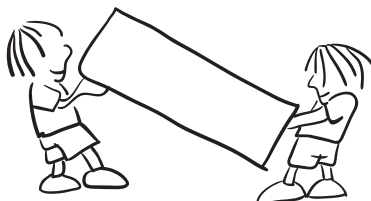
Byte av LED-belysning

Om kylskåpet har LED-belysning som behöver bytas ska helpdesk kontaktas eftersom det endast är behörig personal som ska utföra detta.

TRANSPORT OCH FLYTTNING

- Originalförpackningen och skum kan förvaras för återtransport (valfritt).
- Du bör fästa ditt kylskåp med tjock förpackning, band eller starka rep och följa instruktionerna för transporter som finns på förpackningen för återtransport.
- Ta bort rörliga delar (hyllor, tillbehör, grönsakslådor osv.) Eller fixera dem i kylskåpet mot stötar, med hjälp av band innan flyttning och transport.

Bär ditt kylskåp i upprätt läge.




Omplacering av dörren

- Det är inte möjligt att byta öppningsriktning för kylskåpets dörr, om dörrhandtagen är installerade på ditt kylskåp från den främre delen av dörren.
- Det är möjligt att byta öppningsriktning för kylskåpets dörr, om modellen inte har dörrhandtag.
- Om riktningen på dörren som öppnar ditt kylskåp kan ändras, bör du kontakta närmaste auktoriserade service för att förändra öppningsriktningen.

INNAN DU KALLAR SERVICE

Om kylskåpet inte fungerar;

- Finns det något elektriskt fel?
- Är kontakten är placerad på rätt sätt i vägguttaget?
- Har säkringen för uttaget i vilket kontakten är kopplad eller huvudsäkringen blåst?
- Har uttaget något fel? Undersök detta genom att koppla ditt kylskåp till ett uttag som du är säker på att det fungerar.

Larmindikator-LED slås på	TYP AV FEL	VARFÖR	VAD BÖR DU GÖRA
	"Fel Varning"	Det finns någon(ra) del(ar) som är ur funktion eller det finns ett fel i kylningsprocessen. Produkten är ansluten för första gången eller efter ett strömavbrott på mer än 1 timme.	Kontrollera om dörren är öppen eller inte och kontrollera om produkten fungerar under en timme. Om dörren inte är öppen och produkten fungerade under 1 timme, ring service för att få hjälp så fort som möjligt.

En ökning av temperaturen kan orsakas av;

- Frekvent dörröppning under längre perioder
- Lagring av stora mängder varma livsmedel
- Hög omgivningstemperatur
- Ett fel med apparaten.

Kolla varningarna;

Ditt kylskåp varnar dig om temperaturen för kylavdelningen är i felaktig nivå eller när ett problem inträffar i apparaten. Varning koder visas då i kylavdelningens indikator. Varning koder visas då i kylavdelningens inställningsskärm.

Ett varningsljud hörs även.

Koden som visas och summern kommer att fortsätta tills du trycker på inställnings- eller lägesknappen. När du trycker på en av dessa knappar, avbryts summern. "LC" varningen försvinner inom 15 minuter. Du behöver inte ringa din tjänsteleverantör, detta tillstånd kan uppstå på grund av ovanstående skäl. Du kan fortsätta att lagra mat i ditt kylskåp. Om "LC" varningen inte försvinner inom en timme efter att du tryckt på knappen, kan du ringa din tjänsteleverantör.

Om ditt kylskåp fungerar för ljudligt;

Kompressorljud

- Normalt motorljud Detta ljud innebär att kompressorn fungerar normalt. Kompressorn kan göra mer ljud under en kort tid när den är aktiverad.

Bubblande ljud och plask:

- Detta ljud orsakas av flödet av kylmediet i rören i systemet.

Luft blås ljud:

- Normalt fläktljud. Detta ljud kan höras i kylskåp under normal drift av systemet på grund av luftcirkulationen.

Om fukt bildas inne i kylaren;

- Är all mat ordentligt förpackad? Har behållarna torkats innan du lagt dem i kylskåpet?
- Öppnas kylskåpets dörrar ofta? Fuktigheten i rummet kommer in i kylskåpet när dörrarna öppnas. Fuktighet bildas snabbare kommer när du öppnar dörrarna oftare, speciellt om luftfuktigheten i rummet är hög.
- Vattendroppar som samlas på den bakre väggen efter automatisk avfrostning är normalt (i statistiska modeller).

Om dörren inte öppnas och stängs ordentligt;

- Förhindrar matförpackningar stängning av dörren?
- Är dörrfack, hyllor och lådor rätt placerade?
- Är dörrtätningarna slitna eller sönder?
- Är ditt kylskåp på en jämn yta?

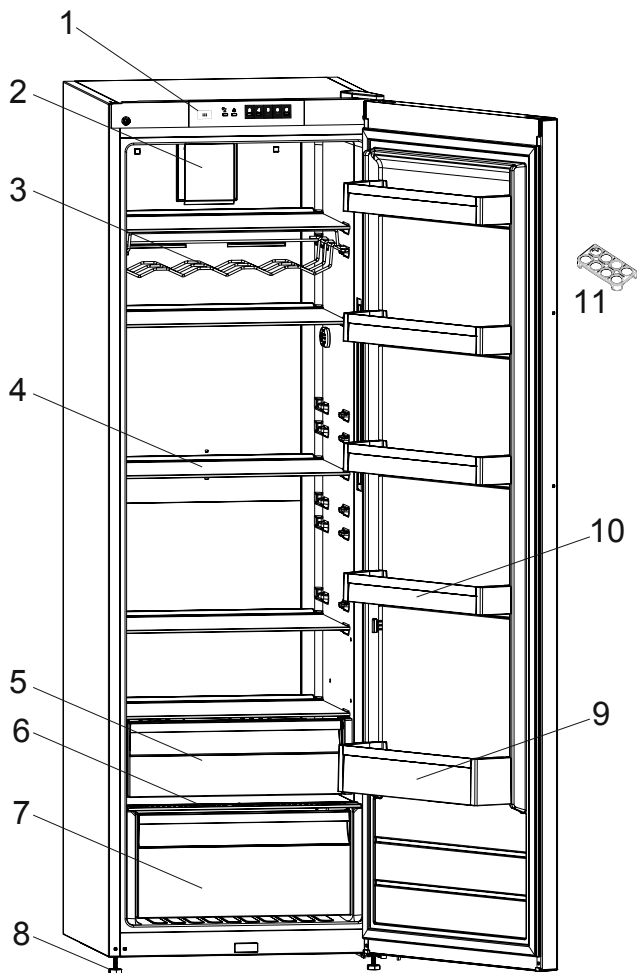
VIKTIGA ANMÄRKNINGAR:

- Kompressorskyddsfunktionen kommer att aktiveras efter plötsliga strömavbrott eller utkoppling av apparaten, eftersom gasen i kylsystemet inte är stabiliserad än. Ditt kylskåp börjar fungera normalt igen efter 5 minuter, det behöver du inte oroa dig för.
- Om du inte kommer att använda kylskåpet under en längre tid (t.ex. under sommarlovet) koppla ur den. Rengör kylskåpet enligt instruktionerna "RENGÖRING OCH UNDERHÅLL" och lämna dörren öppen för att förhindra fukt och lukt.
- Om problemet kvarstår efter att du har följt alla instruktioner ovan, kalla närmaste auktoriserad service.
- Livslängden på din apparat som anges och förklaras av Institutionen för branschen är av 10 år (perioden för att erhålla delar som behövs för att apparaten skall fungera väl).

Tips för att spara energi

1. Installera apparaten i ett svalt, väl ventilerat rum, men inte i direkt solljus och inte i närheten av en värmekälla (element, spis etc. ..). Använd annars en isoleringsplatta.
2. Låt varm mat och dryck svalna utanför apparaten.
3. När du placerar drycker och slask måste de täckas. Annars ökar fuktigheten i apparaten. Då blir arbetstiden längre. Dessutom hjälper täckandet av drycker och slask till att bevara lukt och smak
4. När du placerar mat och dryck, öppna apparatens dörr så kort tid som möjligt.
5. Håll locken stängda i alla fack med olika temperaturer i apparaten (grönsakslåda, kyl ... etc).
6. Dörrtätningen måste vara ren och smidig. Byt tätningarna om de är slitna.

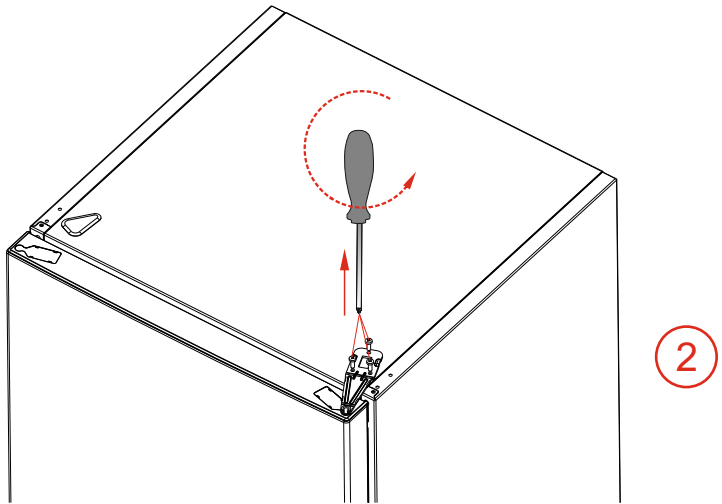
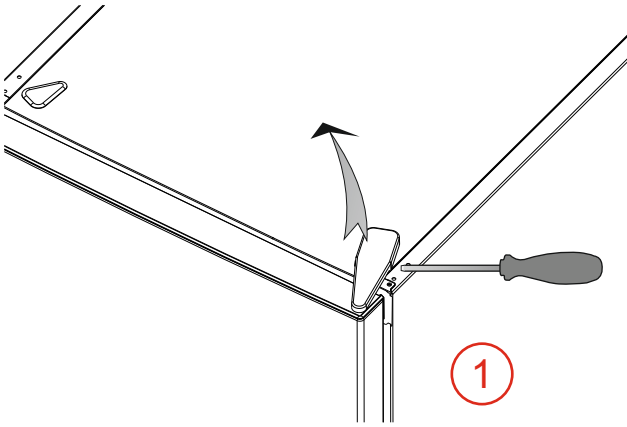
DELARNA I KYLSKÅPET OCH FACKEN

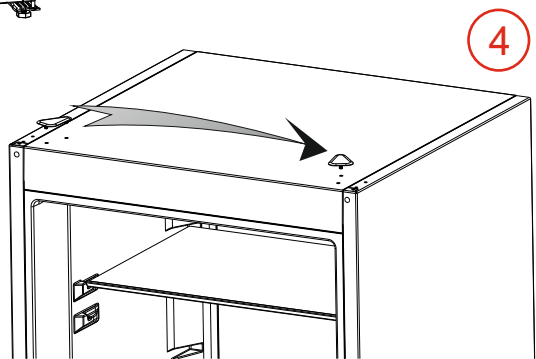
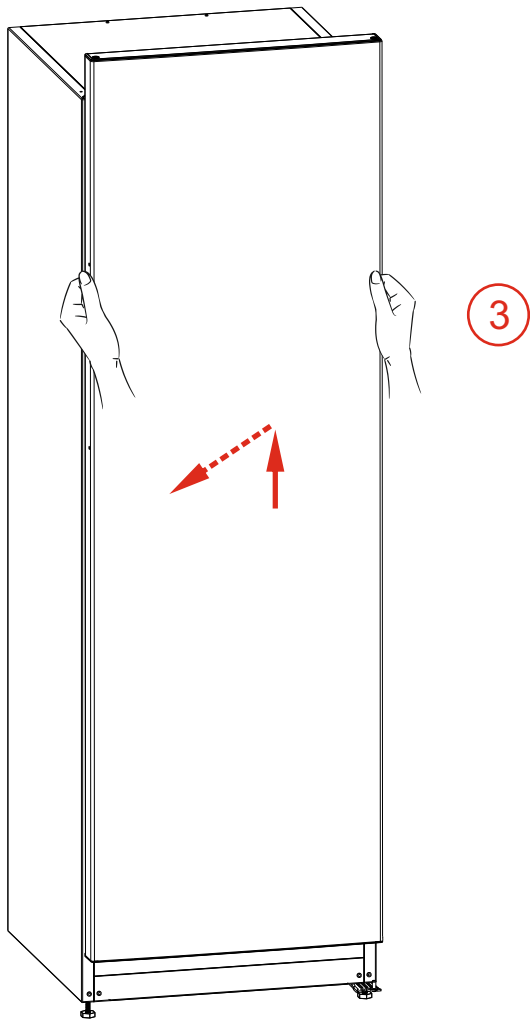


Denna presentation är endast information om apparatens olika delar.
Delarna kan variera beroende på apparatens modell.

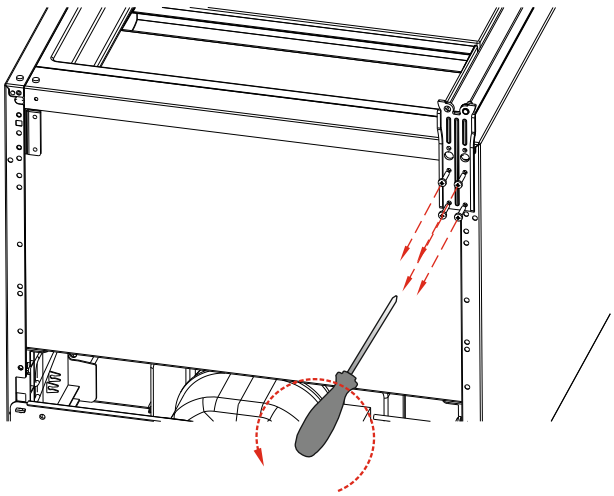
- | | |
|----------------------------------|-------------------------|
| 2. Turbo fläkt * | 7. Undre grönsakslåda |
| 3. Vinställ * | 8. Nivåjusteringsfötter |
| 4. Glashyllor | 9. Undre hyllan |
| 5. Övre grönsakslåda (tillval) * | 10. Dörrhyllor |
| 6. Skydd för undre grönsakslådan | 11. Äggbehållare |

* I vissa modeller

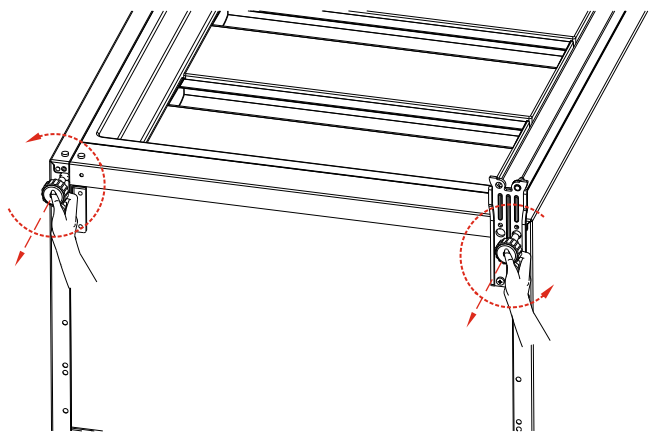


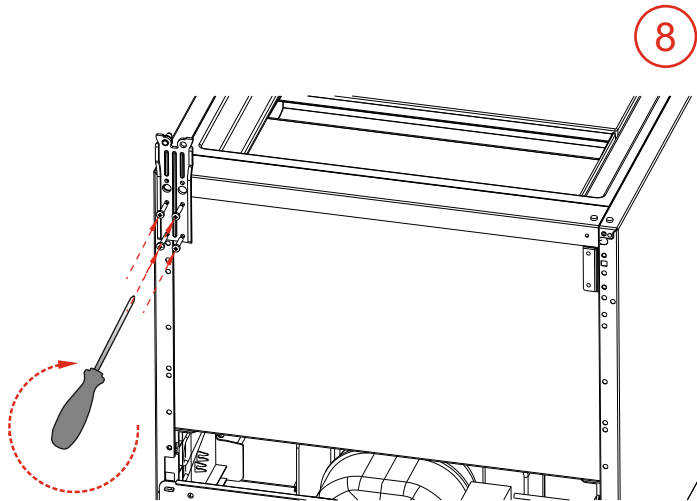
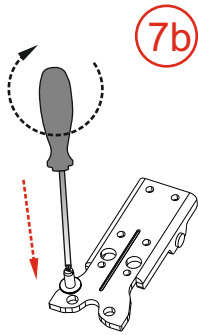
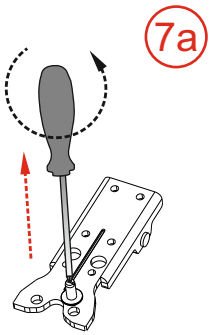


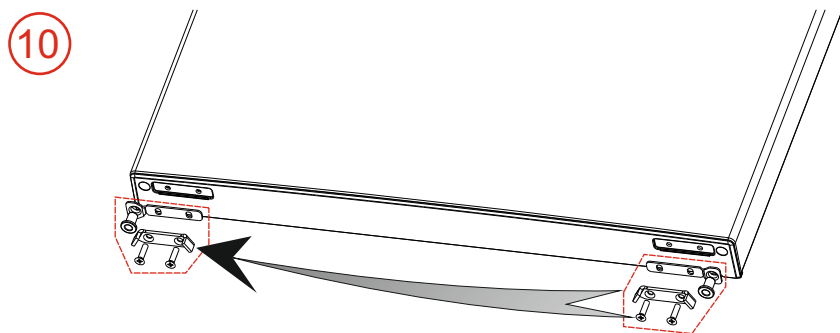
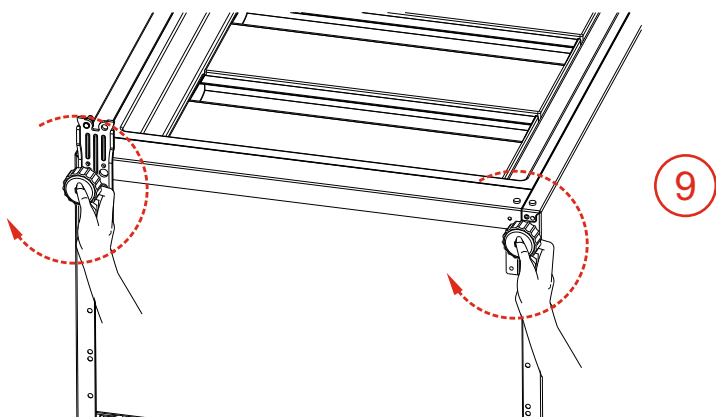
5

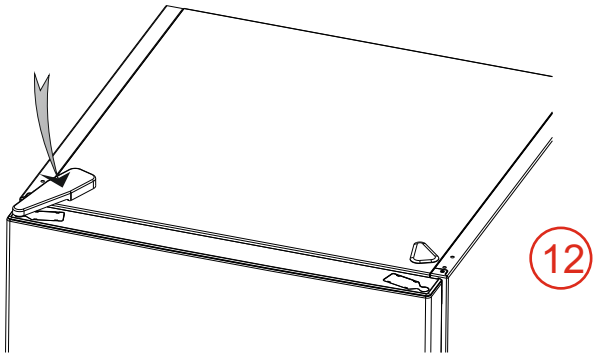
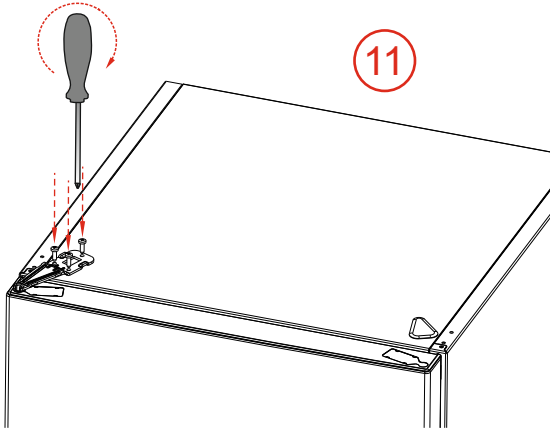


6











service

- Vi har service i hela landet
- Gå in på www.cylinda.se eller
- Ring 0771-25 25 00 (endast lokaltaxa)

uppge

- Maskintyp
- Problembeskrivning
- Serienummer
- Namn och adress
- Inköpsdatum
- Ditt telefonnummer

Våra tekniker är specialutbildade på Cylindaprodukter och vi använder bara originalreservdelar.

Elektroskandia Sverige AB, Cylinda, 191 83 Sollentuna

Cylinda
år efter år
52280525